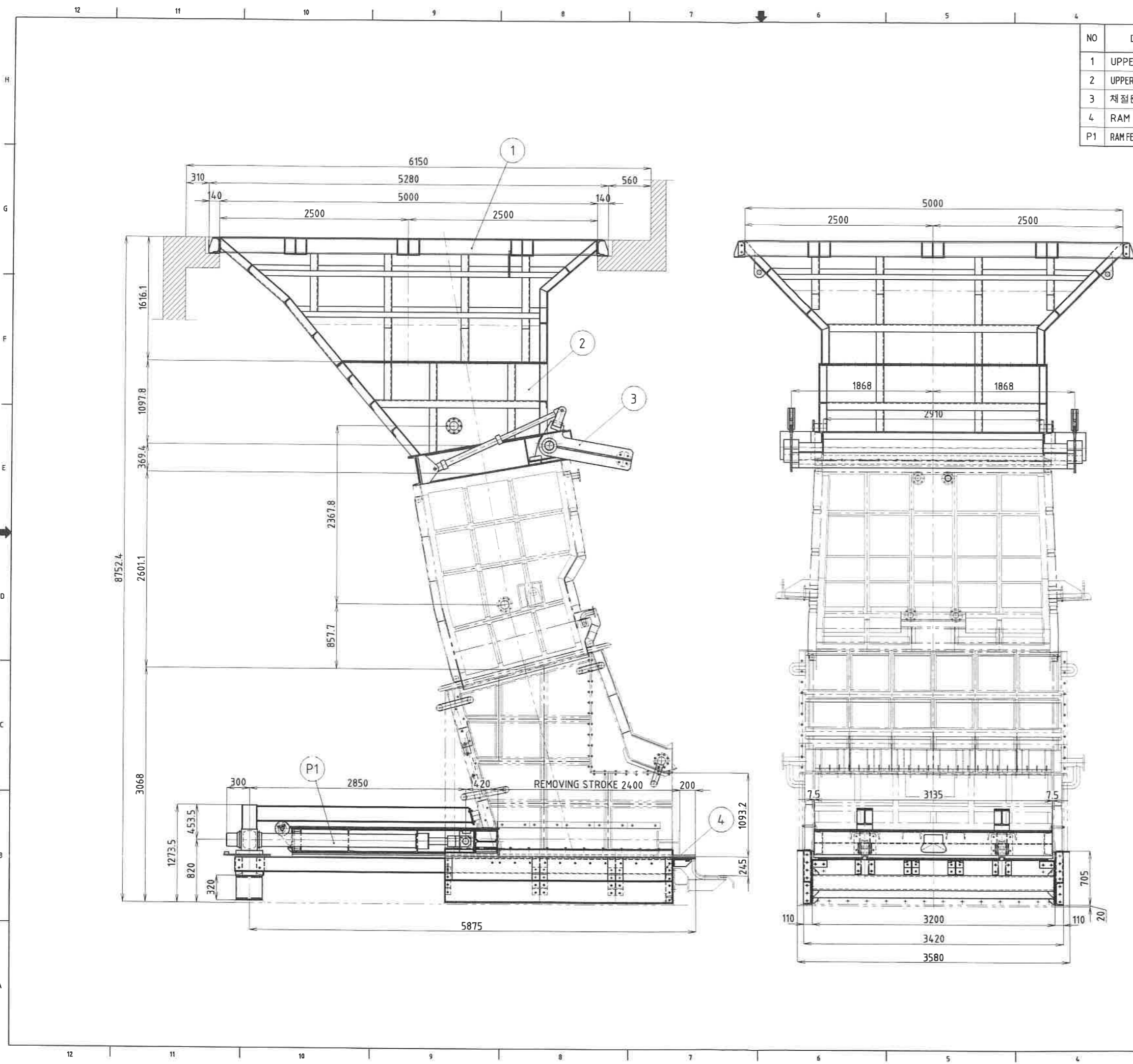


NO	DESCRIPTION	MAT'L	SPECIFICATION	QUANTITY		WEIGHT(kg)		REMARKS
				UNIT	TOTAL	UNIT	TOTAL	
13	LINER	SB410	25t×505×575	30	30	1,709.4	1,709.4	
14	CORNER BAR	FC200(GG-20)	87.5×110×505L	12	12	234.8	234.8	
15	STEEL PLATE	SS400	6t×570×44	10	10	11.8	11.8	
16	STEEL PLATE	SS400	6t×1730×44	5	5	17.9	17.9	
17	ANGLE	SS400	LS50×6t×375L	2	2	3.3	3.3	
18	ANGLE	SS400	LS50×6t×385L	2	2	3.4	3.4	
19	ANGLE	SS400	LS50×6t×380L	1	1	1.7	1.7	
20	STEEL PLATE	SS400	10t×100×100	6	6	4.7	4.7	
21	HEX.BOLT	SS400	M24×120L	6	6	-	-	
22	HEX.BOLT	SS400	M16×45L	146	146	-	-	
23	HEX.BOLT	SS400	M16×50L	44	44	-	-	
24	HEX.BOLT	SS400	M16×55L	24	24	-	-	
25	HEX.BOLT	SS400	M16×65L	12	12	-	-	
26	NUT	SS400	M16	226	226	-	-	
27	TAPER WASHER	SS400	M16	44	44	-	-	

TOTAL WEIGHT : 1,987.0Kg

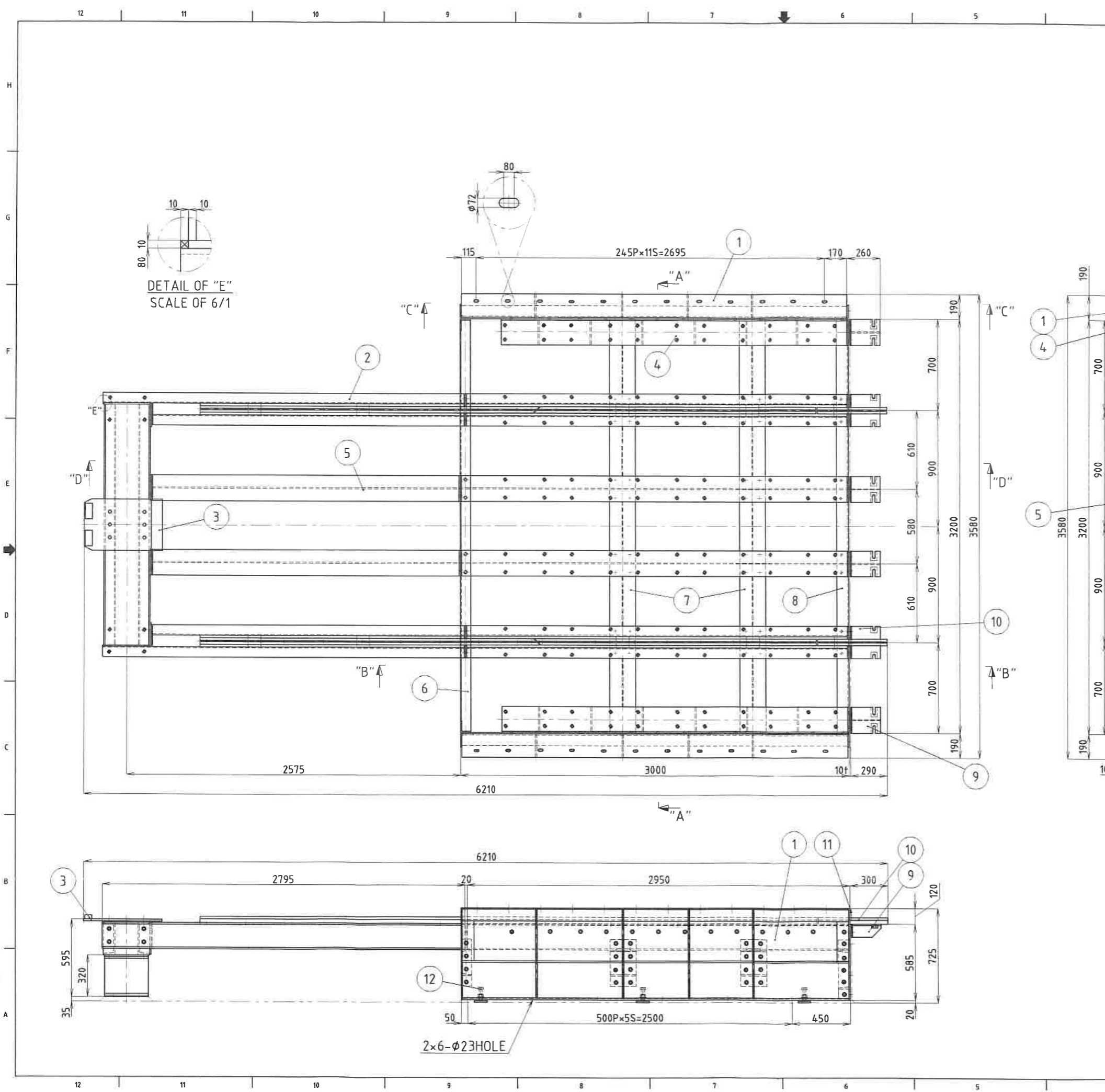
REV.	DATE	DESCRIPTION	PREPARED	CHECKED	APPROVED
	2016.04.06	FIRST ISSUE	JS HAN	TY KIM	BC KIM
JOB NO. 00000					
DRAWN BY S.N LEE		PROJECT 쓰레기공급기(렘피더) 및 투입호퍼 제작교체공사			
CHECK BY S.H YEOM		TITLE FRAME LINER ASSEMBLY			
APPROVED BY H.Y LEE		CLASSIFICATION NO.			
SCALE N/A		OWNER DWG. NO.		REV. A	
		VENDOR DWG. NO.		WY-GP-16RF-RETF01-00	
WOORYANG ENG. & CON. CO.,LTD.					



NO	DESCRIPTION	MAT'L	SPECIFICATION	QUANTITY		WEIGHT(kg)		REMARKS
				UNIT	TOTAL	UNIT	TOTAL	
1	UPPER HOPPER	SS400	-	1	1	6,229.9	6,229.9	
2	UPPER CONTROL HOPPER	SS400	-	1	1	2,218.2	2,218.2	
3	체절문	SS400	-	1	1	4,679.3	4,679.3	
4	RAM FEEDER	SS400	-	1	1	10,603.6	10,603.6	
P1	RAM FEEDER HYD.CYLINDER	-	-	1	1	660	660	

TOTAL WEIGHT : 24,391.0Kg

2016.04.05	FIRST ISSUE	J.S.HAN	TY.KIM	BC.KIM	
REV.	DATE	DESCRIPTION	PREPARED	CHECKED	APPROVED
JOB NO.	00000				
DRAWN BY	S.N.LEE	PROJECT	쓰레기공급기(RAM FEEDER) 및 투입호퍼 제작교체공사		
CHECK BY	S.H.YEOM	TITLE	RAM FEEDER & HOPPER ASSEMBLY		
APPROVED BY	H.Y.LEE	CLASSIFICATION NO.	OWNER DWG. NO.	REV. A	
SCALE	N/A	DATE DRAWN	VEHICULAR DWG. NO.	WY-GP-16RF-REFH00-00	
		WOOYANG ENG. & CON. CO.,LTD.			

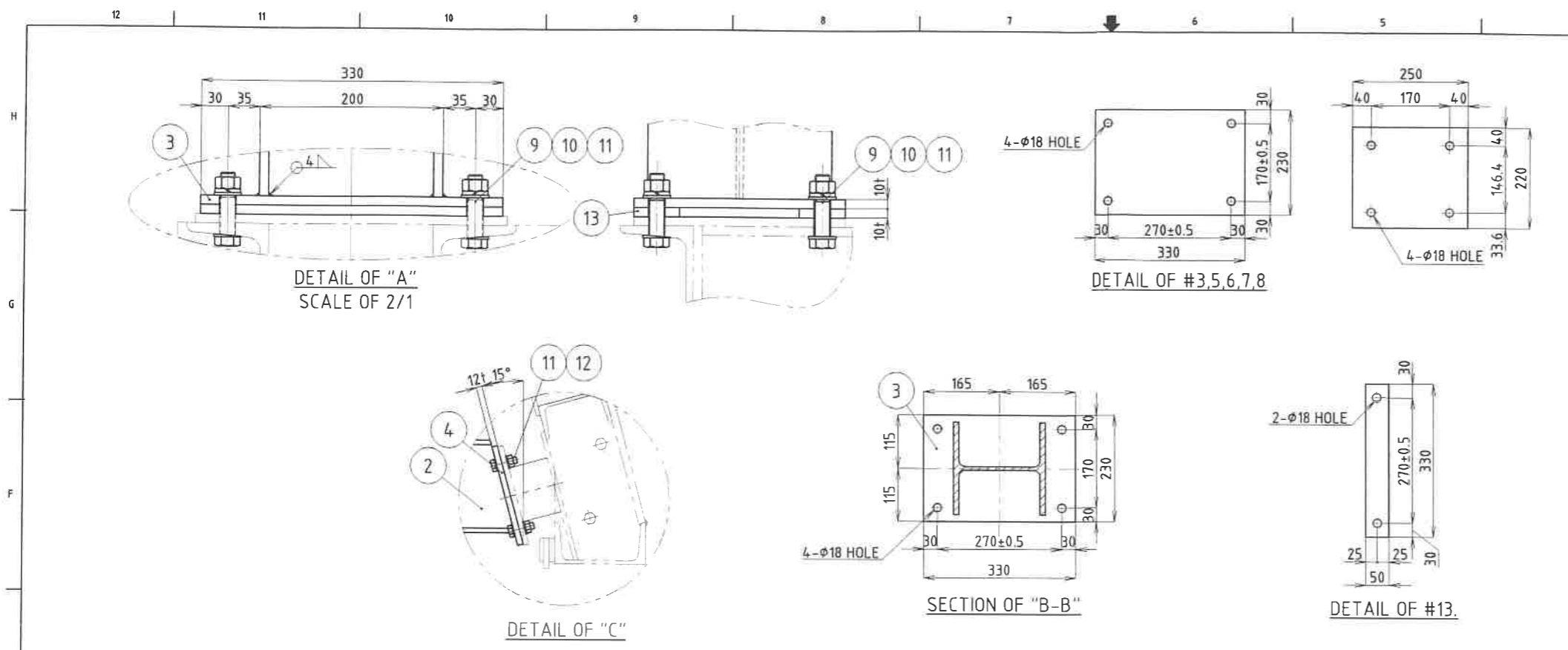


NO	DESCRIPTION	MAT'L	SPECIFICATION	QUANTITY		WEIGHT(kg)		REMARKS
				UNIT	TOTAL	UNIT	TOTAL	
1	SIDE WALL	SS4.00	-	2	2	857.6	857.6	
2	RAIL & BASE	SS4.00	-	2	2	893.8	893.8	
3	CYLINDER BASE	SS4.00	-	1	1	294.1	294.1	
4	CORNER BAR BASE	SS4.00	-	2	2	200.7	200.7	
5	FRAME CENTER BEAM	SS4.00	-	2	2	598.5	598.5	
6	FRAME REAR 지지 BAR	SS4.00	-	1	1	134.7	134.7	
7	FRAME MIDDLE 지지 BAR	SS4.00	-	2	2	414	414	
8	FRAME FRONT 지지 BAR	SS4.00	-	1	1	189.3	189.3	
9	FRAME FRONT EDGE(FOR LINER)	SS4.00	-	4	4	56.3	56.3	
10	FRAME FRONT EDGE(FOR RAIL)	SS4.00	-	2	2	68.8	68.8	
11	FRAME BLIND PLATE	SS4.00	-	1	1	-	-	
12	FRAME JACK UNIT	SS4.00	-	6	6	-	-	

TOTAL WEIGHT : 3,707.8Kg

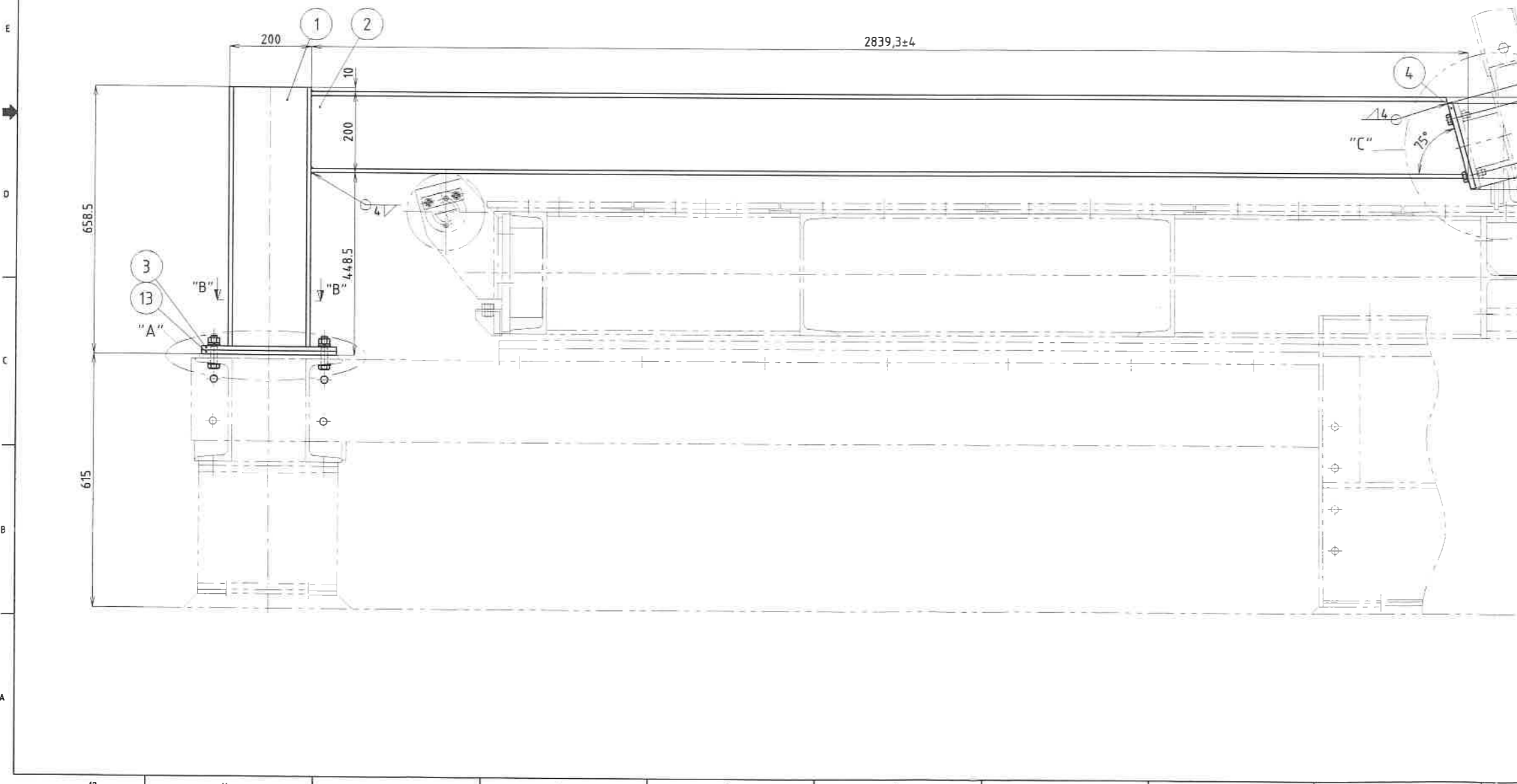
REV.	DATE	DESCRIPTION	PREPARED	CHECKED	APPROVED
△	2016.04.06	FIRST ISSUE	J.S.HAN	TY.KIM	BC.KIM
JOB NO.		PROJECT			
00000		쓰레기공급기(레피더) 및 투입호퍼 제작교체공사			
DRAWN BY		TITLE			
S.N.LEE		FRAME ASSEMBLY			
CHECK BY		CLASSIFICATION NO.			
S.H.YEOM		OWNER DWG. NO.			
APPROVED BY		VENDOR DWG. NO.			
H.Y.LEE		WY-GP-16RF-RTF00-00			
SCALE		REV.			
N/A		A			

WOOYANG WOOYANG ENG. & CON. CO.,LTD.

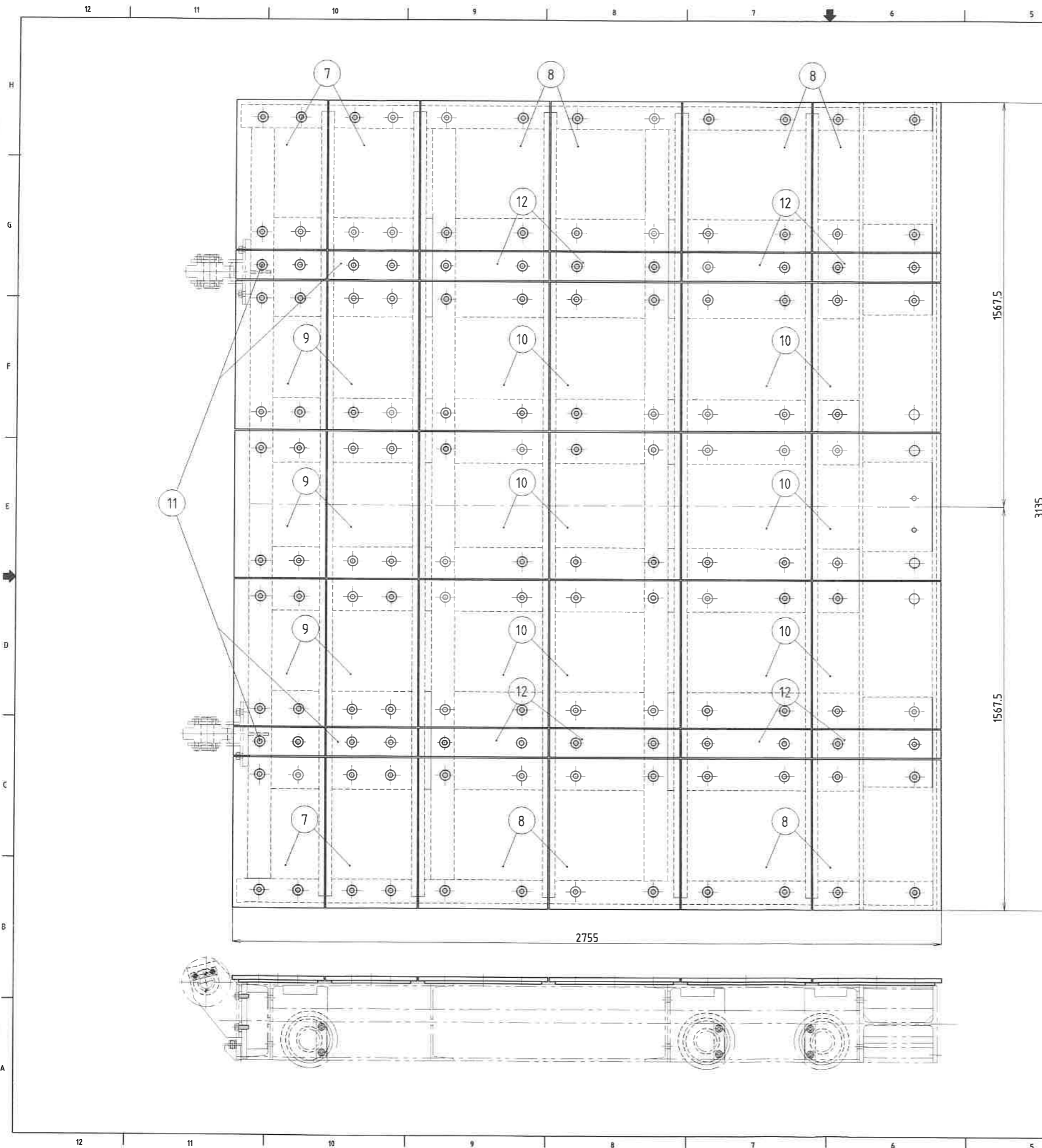


NO	DESCRIPTION	MAT'L	SPECIFICATION	QUANTITY		WEIGHT(kg)		REMARKS
				UNIT	TOTAL	UNIT	TOTAL	
1	H-BEAM	SS400	HS200×200×8t/12×638.5L	2	2	63.4	63.4	
2	H-BEAM	SS400	HS200×200×8t/12×2839.3L	2	2	287	287	
3	STEEL PLATE	SS400	330×230×20t	2	2	23.8	23.8	
4	STEEL PLATE	SS400	250×280×20t	2	2	22	22	
5	STEEL PLATE	SS400	230×330×6t	2	2	7.1	7.1	
6	STEEL PLATE	SS400	230×330×3.2t	4	4	7.6	7.6	
7	STEEL PLATE	SS400	230×330×2.3t	4	4	5.5	5.5	
8	STEEL PLATE	SS400	230×330×1.6t	4	4	3.8	3.8	
9	HEX. BOLT	SS400	M16×70L	8	8	-	-	
10	T/W	SS400	M16	8	8	-	-	
11	SPRING WASHER	SS400	M16	26	26	-	-	
12	HEX. BOLT	SS400	M16×45L	8	8	-	-	
13	STEEL PLATE	SS400	330×50×12t	4	4	6.2	6.2	

TOTAL WEIGHT : 426.4Kg



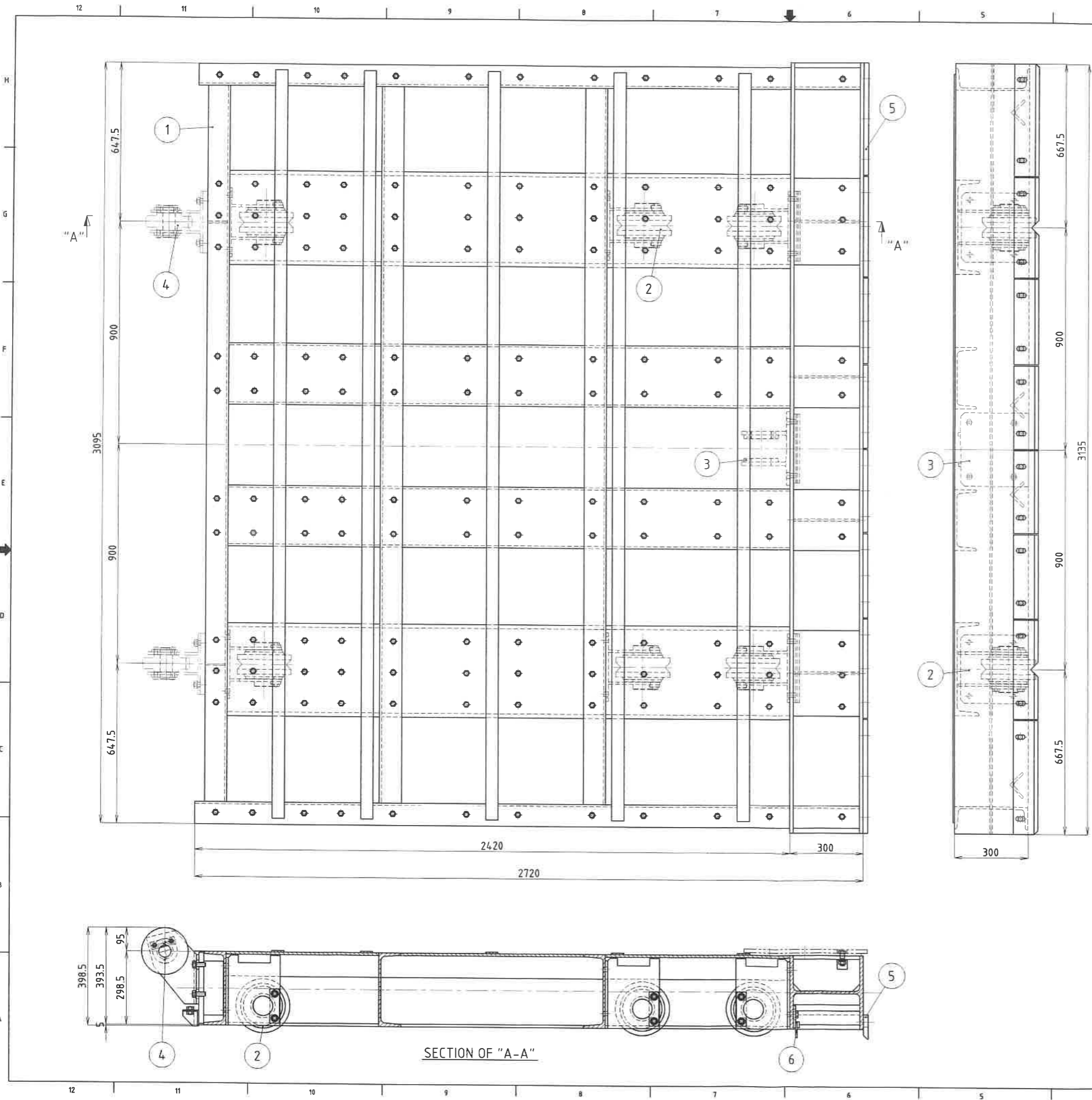
REV.	DATE	DESCRIPTION	PREPARED	CHECKED	APPROVED
△	2016.04.06	FIRST ISSUE	J.S.HAN	T.Y.KIM	B.C.KIM
JOB NO.		PROJECT			
00000		쓰레기공급기(RAM FEEDER) 및 투입호퍼 제작교체공사			
DRAWN BY		TITLE			
S.N.LEE		TABLE SUPPORT ASSEMBLY			
CHECK BY		CLASSIFICATION NO.		OWNER DWG. NO.	
S.H.YEOM					
APPROVED BY		VENDOR DWG. NO.		REV.	
H.Y.LEE		WY-GP-16RF-RTF02-00		A	
SCALE		WOOYANG			
N/A		WOOYANG ENG. & CON. CO.,LTD.			



NO	DESCRIPTION	MAT'L	SPECIFICATION	QUANTITY		WEIGHT(kg)		REMARKS
				UNIT	TOTAL	UNIT	TOTAL	
7	LINER-A	SB410	25t×355×580	4	4	161.6	161.6	
8	LINER-B	SB410	25t×505×580	8	8	459.8	459.8	
9	LINER-C	SB410	25t×355×575	6	6	240.3	240.3	
10	LINER-D	SB410	25t×505×575	12	12	683.8	683.8	
11	LINER-E	SB410	25t×355×110	4	4	29.8	29.8	
12	LINER-F	SB410	25t×505×110	8	8	69.4	69.4	

TOTAL WEIGHT : 1644.7Kg

REV.	DATE	DESCRIPTION	PREPARED	CHECKED	APPROVED
△	2016.04.06	FIRST ISSUE	JS HAN	TY KIM	BCKIM
JOB NO.		PROJECT			
00000		쓰레기공급기(렘피디) 및 투입호퍼 제작교체공사			
DRAWN BY		TITLE			
S H LEE		TABLE LINER PART ASSEMBLY			
CHECK BY		DATE DRAWN		REV.	
S H YEOM				A	
APPROVED BY		OWNER DWG. NO.		VENDOR DWG. NO.	
H Y LEE				WY-GP-16RF-RAA01-00	
SCALE		WOOYANG ENG. & CON. CO.,LTD.			
N/A					



NO	DESCRIPTION	MAT'L	SPECIFICATION	QUANTITY		WEIGHT(kg)		REMARKS
				UNIT	TOTAL	UNIT	TOTAL	
1	TABLE	SS400	-	1	1	2,212.3	2,212.3	
2	V-ROLLER	SS400	-	6	6	373.8	373.8	
3	CYLINDER BRACKET	SS400	-	1	1	37.6	37.6	
4	G-ROLLER	SS400	-	2	2	125.1	125.1	
5	SCRAPER	SS400	-	8	8	78.6	78.6	
6	CLEANER	SS400	-	3	3	10.3	10.3	

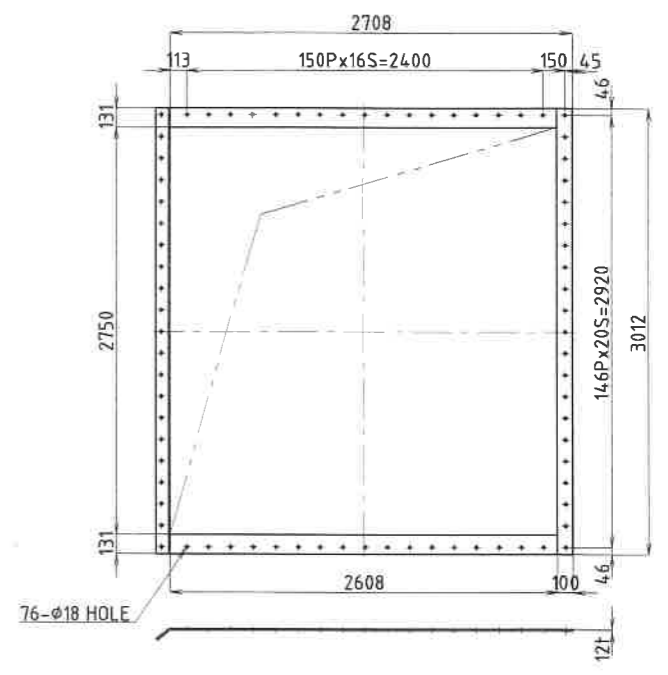
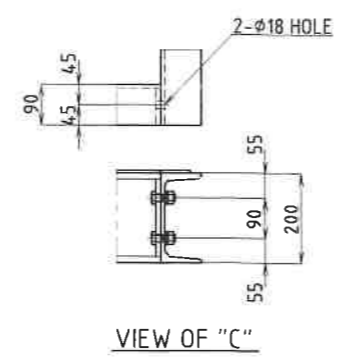
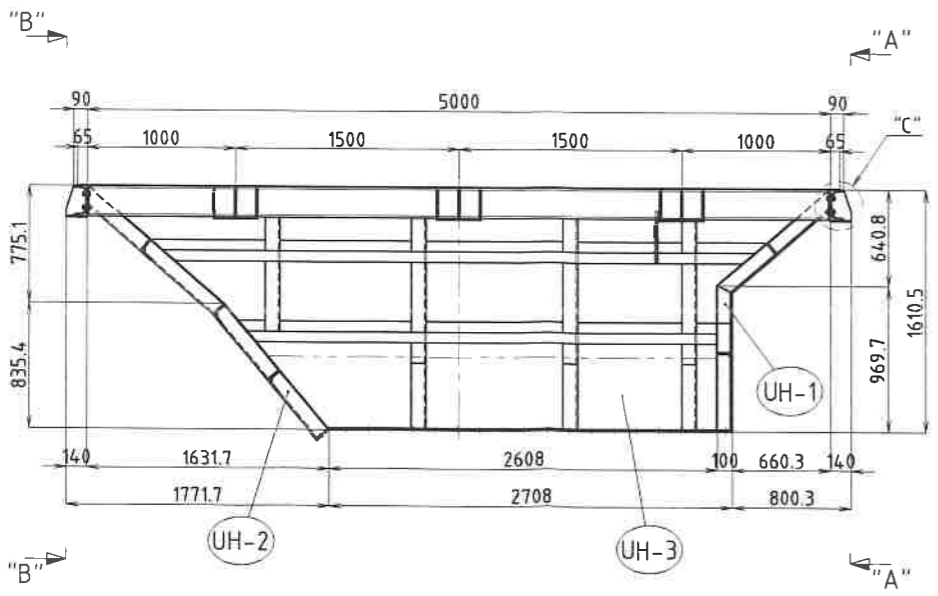
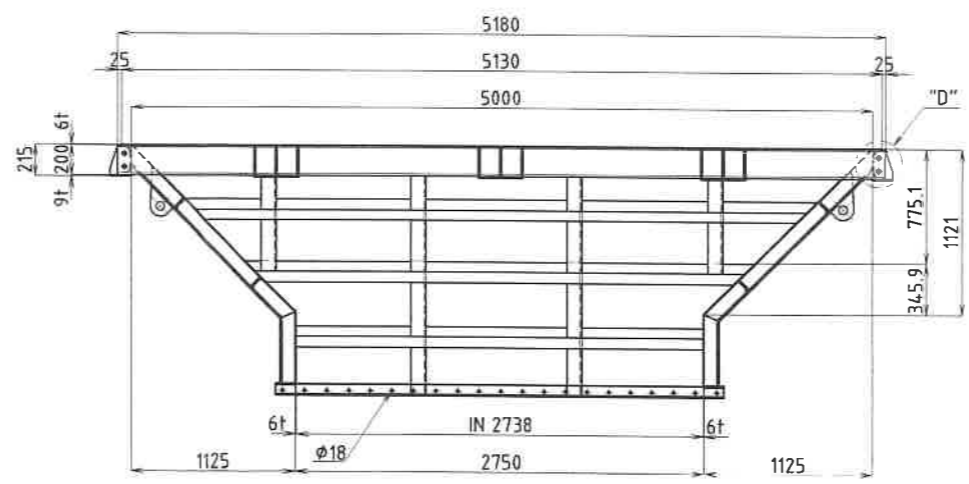
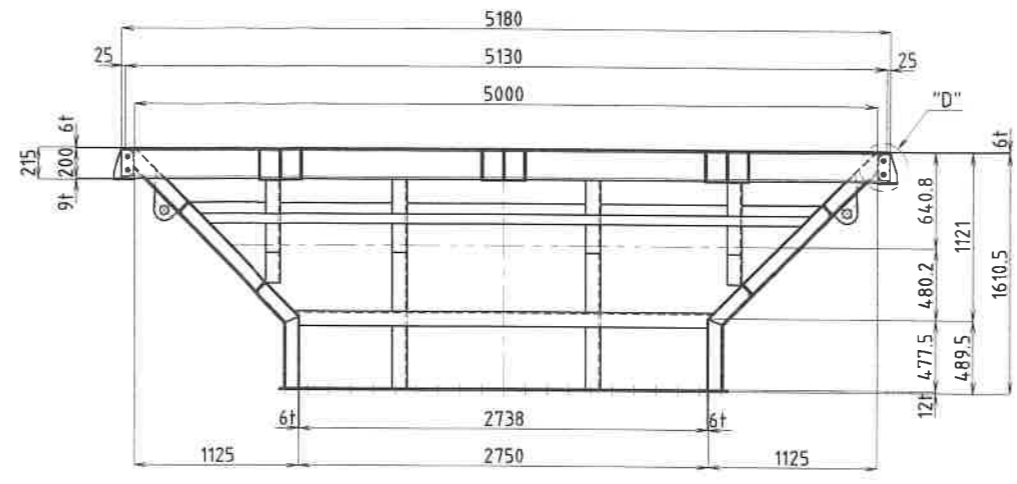
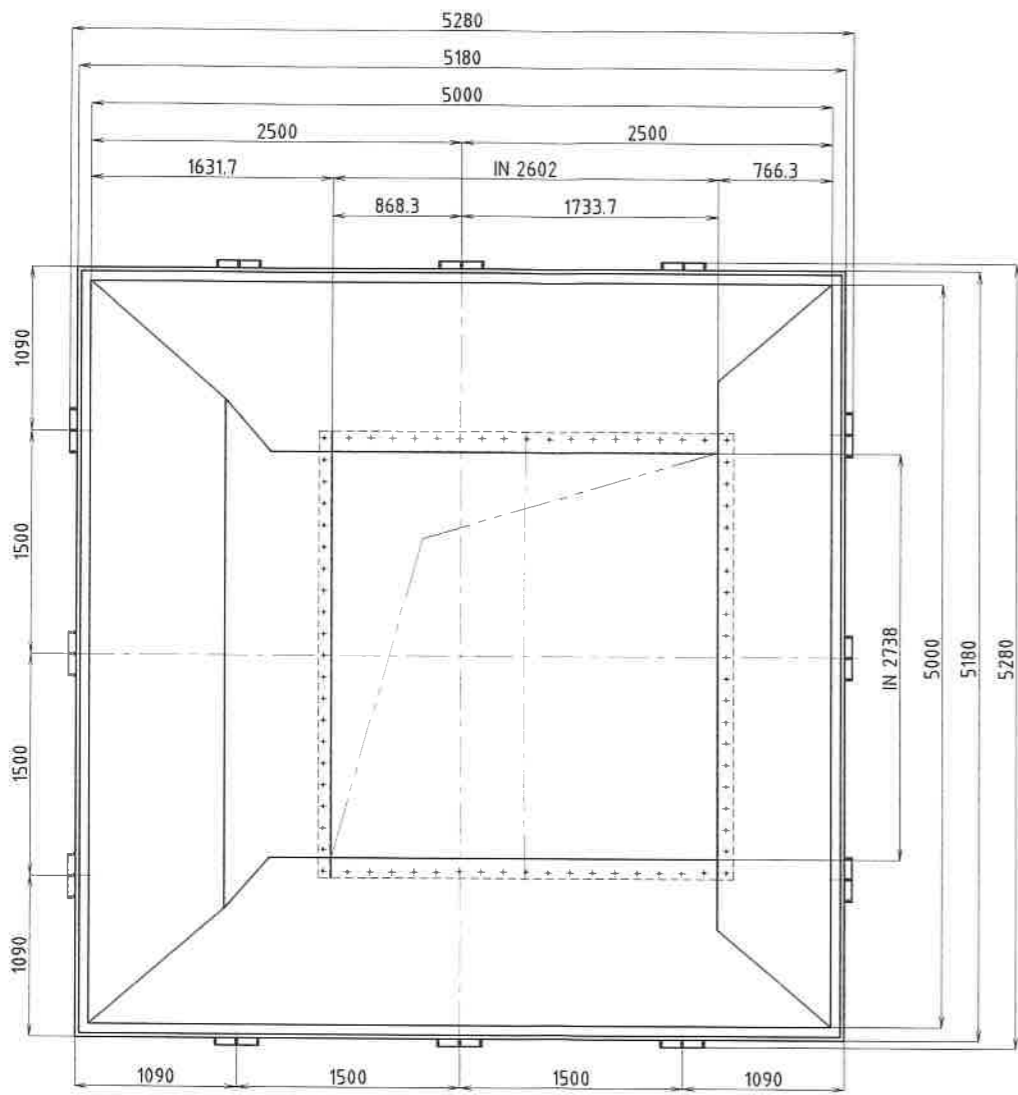
TOTAL WEIGHT : 2,837.7Kg

2016.04.06	FIRST ISSUE	JS HAN	TY KIM	BC KIM	
REV.	DATE	DESCRIPTION	PREPARED	CHECKED	APPROVED
JOB NO. 00000					
DRAWN BY		PROJECT			
S.N LEE		쓰레기공급기(램피더) 및 투입호퍼 제작교체공사			
CHECK BY		TITLE			
S.H YEOM		TABLE PART ASSEMBLY			
APPROVED BY		CLASSIFICATION NO.			
H.Y LEE		OWNER DWG. NO.			
SCALE		VEHICOR DWG. NO.			
N/A		WY-GP-16RF-RRA00			
					REV. A

WOOYANG WOOYANG ENG. & CON. CO.,LTD.

NO	DESCRIPTION	MAT'L	SPECIFICATION	QUANTITY		WEIGHT(kg)		REMARKS
				UNIT	TOTAL	UNIT	TOTAL	
-	UPPER HOPPER	SS400	-	1	1	-	-	
UH-1	SIDE PLATE-1	SS400	P.L 6t, 12t	1	1	1453.5	1453.5	
UH-2	SIDE PLATE-2	SS400	P.L 6t, 12t	1	1	1681.2	1681.2	
UH-3	SIDE PLATE-3	SS400	P.L 6t, 12t	2	2	3095.2	3095.2	

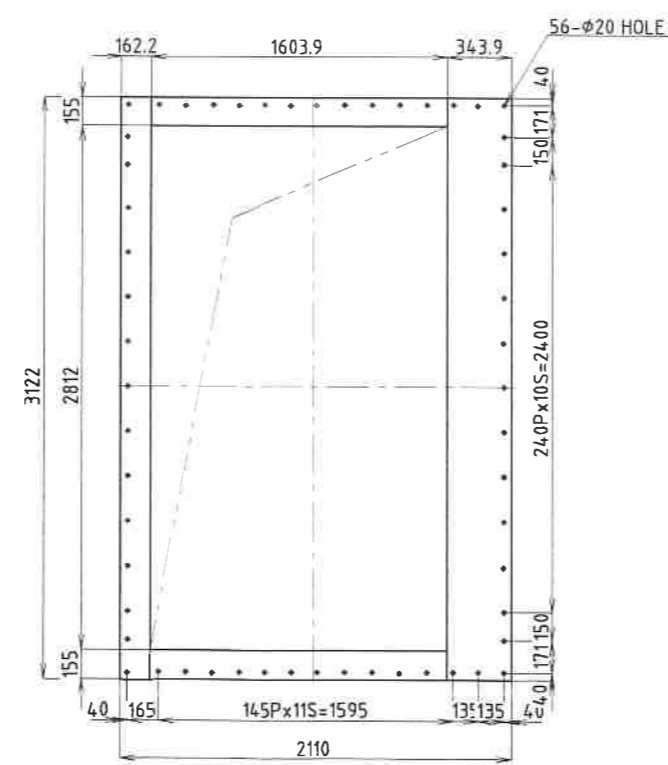
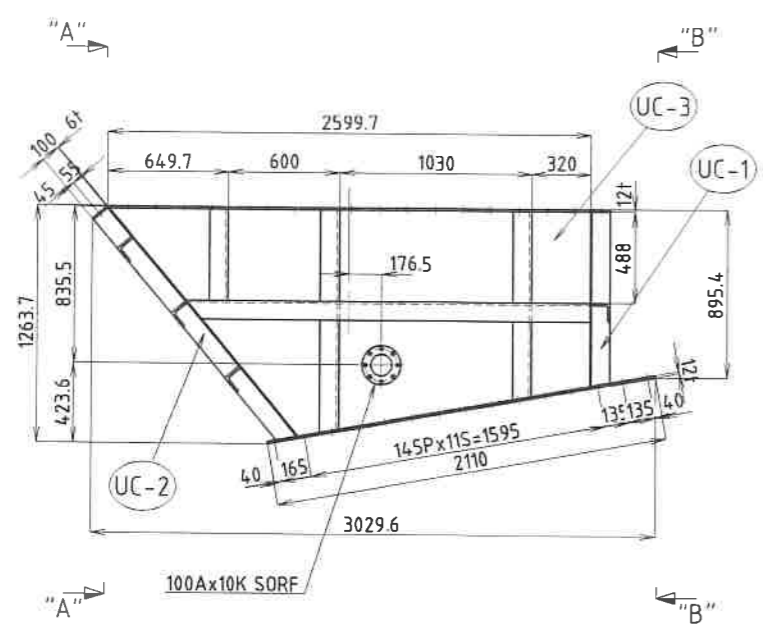
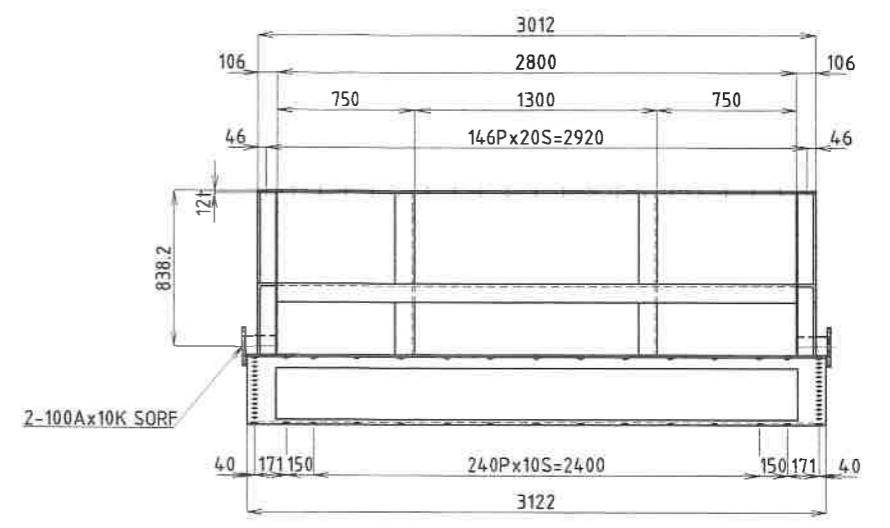
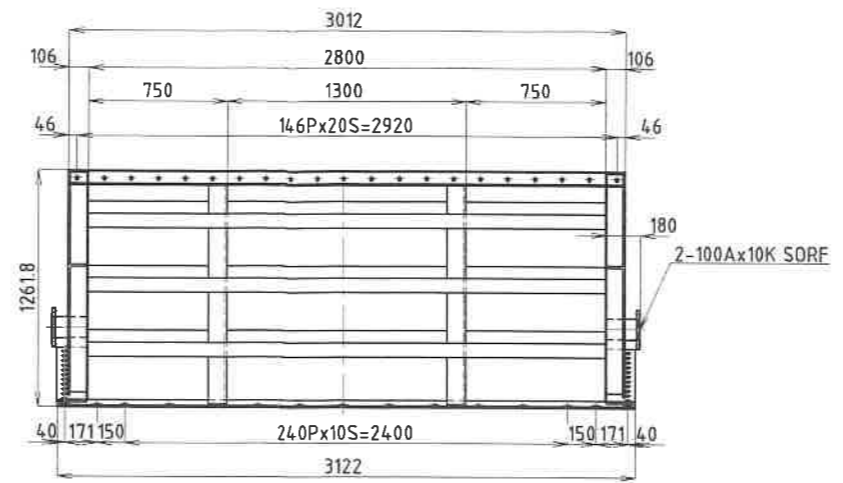
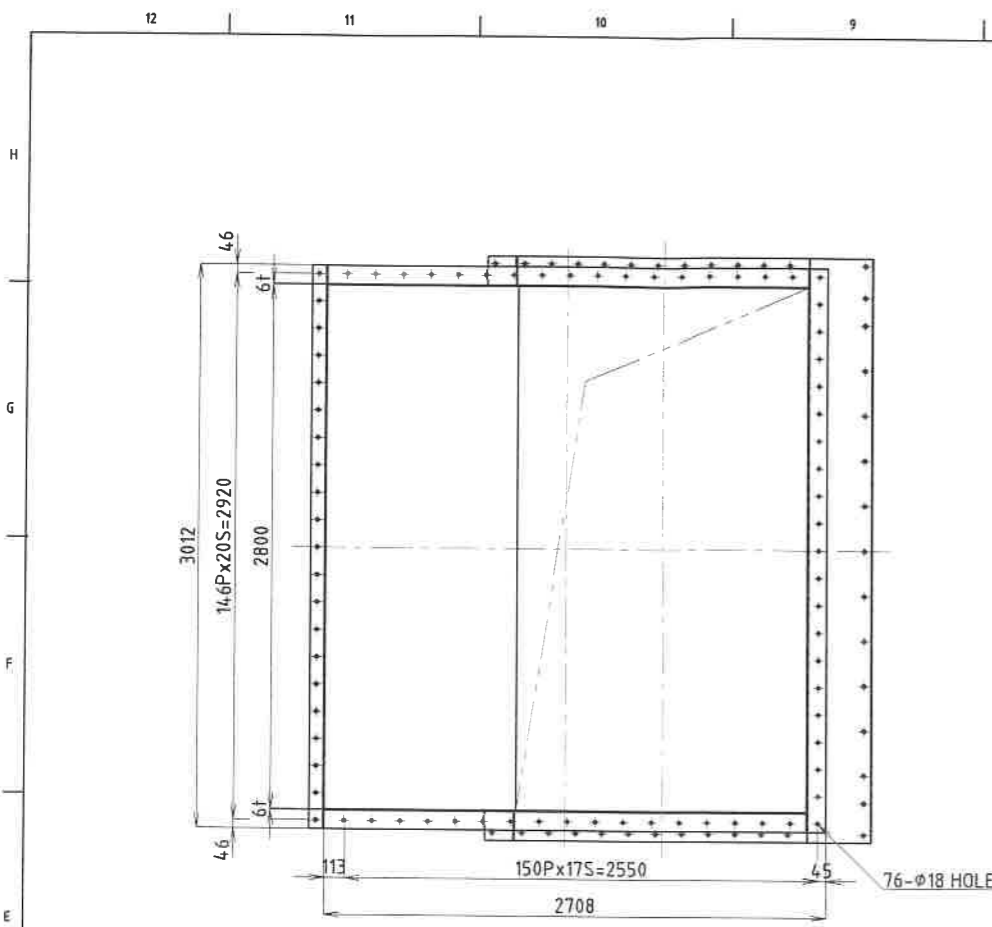
TOTAL WEIGHT : 6,229.9Kg



REV.	DATE	DESCRIPTION	PREPARED	CHECKED	APPROVED
△	2015.04.06	FIRST ISSUE	HO KIM	TY KIM	BC KIM

JOB NO.	00000	PROJECT	쓰레기공급기(RAM FEEDER) 및 투입호퍼 제작교체공사
DRAWN BY	S.N LEE	TITLE	UPPER HOPPER ASSEMBLY
CHECK BY	S.H.YEOM	CLASSIFICATION NO.	OWNER ENG. NO.
APPROVED BY	H.Y LEE	VENDOR ENG. NO.	WY-GP-16RF-RH-01-00
SCALE	N/A	DATE DRAWN	

WOOSANG WOOSANG WOOYANG ENG. & CON. CO.,LTD.



NO	DESCRIPTION	MAT'L	SPECIFICATION	QUANTITY		WEIGHT(kg)		REMARKS
				UNIT	TOTAL	UNIT	TOTAL	
-	UPPER CONTROL	SS400	P.L 6t, 12t	1	1	-	-	
UC-1	SIDE PLATE-1	SS400	P.L 6t, 12t	1	1	712.4	712.4	
UC-2	SIDE PLATE-2	SS400	P.L 6t, 12t	1	1	735.5	735.5	
UC-3	SIDE PLATE-3	SS400	P.L 6t, 12t	2	2	770.3	770.3	

TOTAL WEIGHT : 2,218.2Kg

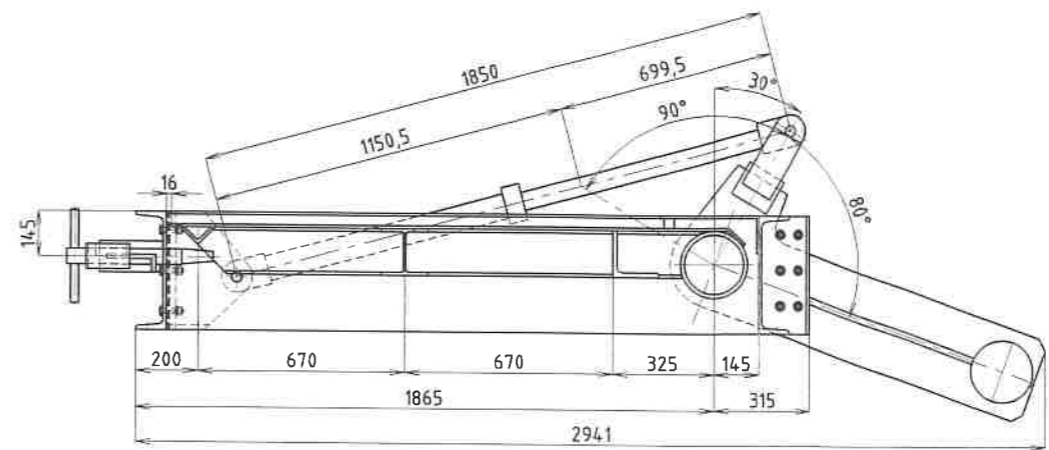
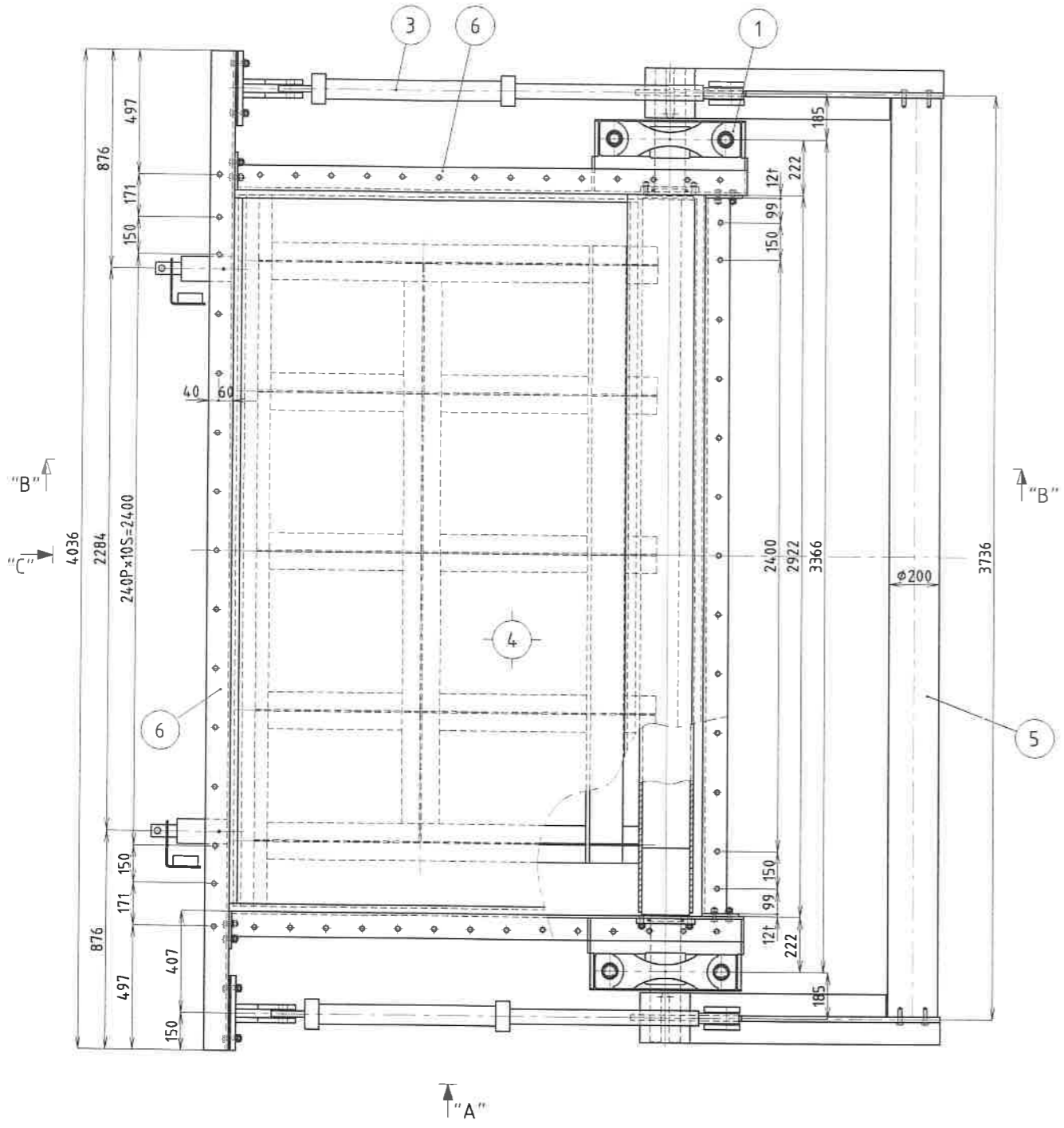
REV.	DATE	DESCRIPTION	PREPARED	CHECKED	APPROVED
△	2015.04.06	FIRST ISSUE	HO KIM	TY KIM	BC KIM

JOB NO. 00000	PROJECT 쓰레기공급기(RAM FEEDER) 및 투입호퍼 제작교체공사
DRAWN BY S N LEE	TITLE UPPER CONTROL HOPPER ASSEMBLY
CHEK BY S H YEOM	CLASSIFICATION NO.
APPROVED BY H Y LEE	OWNER ENG. NO.
SCALE N/A	DATE DRAWN
	VENDOR ENG. NO. WY-GP-16RF-RH-02-00
	REV. A

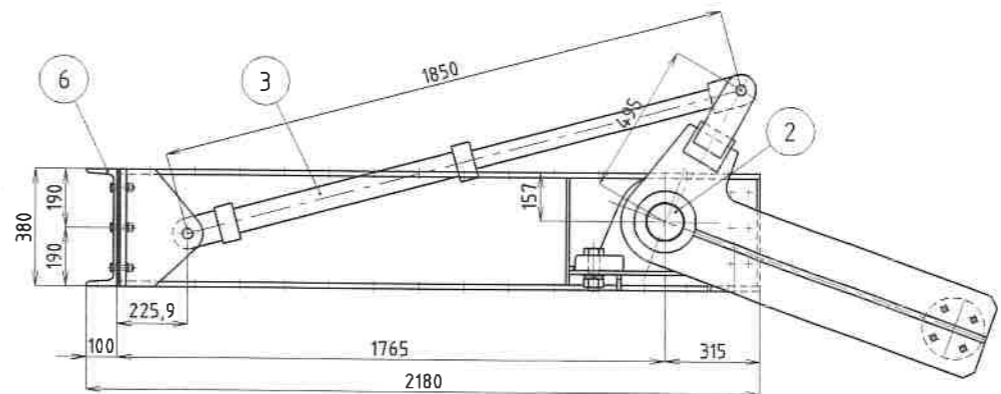
WOOYANG WOOYANG ENG. & CON. CO.,LTD.

NO	DESCRIPTION	MAT'L	SPECIFICATION	QUANTITY		WEIGHT(kg)		REMARKS
				UNIT	TOTAL	UNIT	TOTAL	
1	BEARING	-	UCP324	2	2	110	110	
2	PIPE	SGP	200A×SCH40#	1	1	584.4	584.4	
3	CYLINDER	PUR	φ80×700ST	2	2	213	213	
4	DAMPPER	SGP	158×2528×1795	1	1	1,673.1	1,673.1	
5	WEIGHT	SS4.00	φ200×3714L	1	1	1,291.3	1,291.3	
6	DAMPER FRAME	SS4.00	φ125×75L	1	1	807.5	807.5	

TOTAL WEIGHT : 4,679.3Kg



SECTION OF "B-B"



VIEW OF "A"

REV.	DATE	DESCRIPTION	PREPARED	CHECKED	APPROVED
	2016.04.06	FIRST ISSUE	JS HAN	TY KIM	BC KIM
JOB NO.		PROJECT			
00000		쓰레기공급기(RAM FEEDER) 및 투입호퍼 제작교체공사			
DRAWN BY		TITLE			
S.N LEE		체질문 ASSEMBLY			
CHECK BY		CLASSIFICATION NO.			
S.H YEOM		OWNER DWG. NO.			
APPROVED BY		VENDOR DWG. NO.			
H.Y LEE		WY-GP-16RH-BAMG-010			
SCALE		REV.			
N/A		A			
WOOYANG ENG. & CON. CO.,LTD.					