



군포도시공사
Gunpo Urban Corporation

군포국민체육센터 인공암벽설치

2021 . 11 .



PROJECT TITLE

PROJECT NO.

NOTE

DRAWING BY

DESIGNED BY

SUBMITTED BY

APPROVED BY

CONSULTANTS

DRAWING TITLE

DATE

SCALE

DRAWING NO.



군포도시공사
Gunpo Urban Corporation

PROJECT TITLE
군포국민체육센터 인공암벽설치

PROJECT NO.

NOTE

DRAWING BY

DESIGNED BY

SUBMITTED BY

APPROVED BY

CONSULTANTS

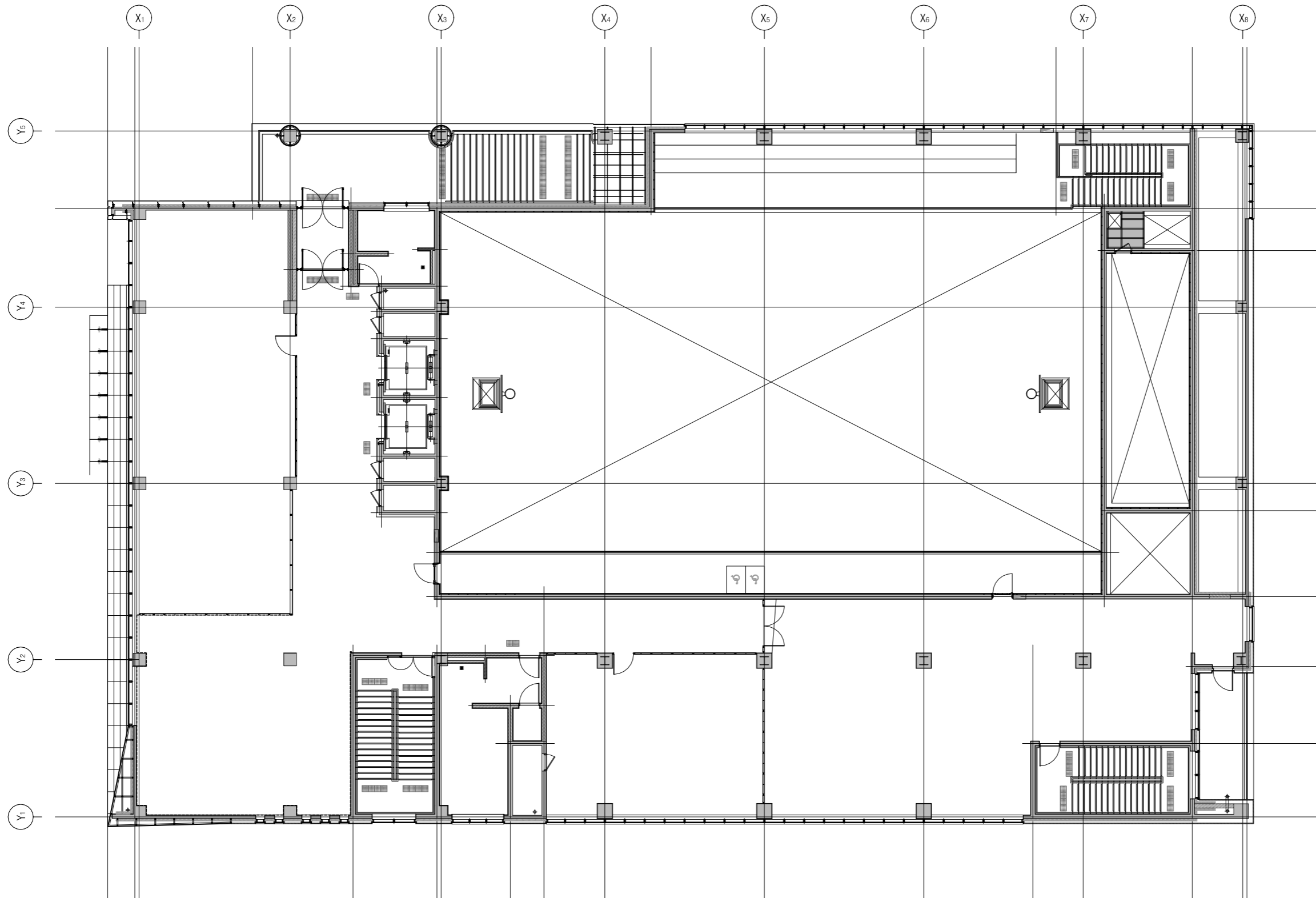
DRAWING TITLE

당초 평면도

DATE
2021 . 11 . 27

SCALE
1 / 200

DRAWING NO.
CT - 001



1 당초 평면도
축척: 1 / 200





군포도시공사
Gunpo Urban Corporation

PROJECT TITLE
군포국민체육센터 인공암벽설치

PROJECT NO.

NOTE

DRAWING BY

DESIGNED BY

SUBMITTED BY

APPROVED BY

CONSULTANTS

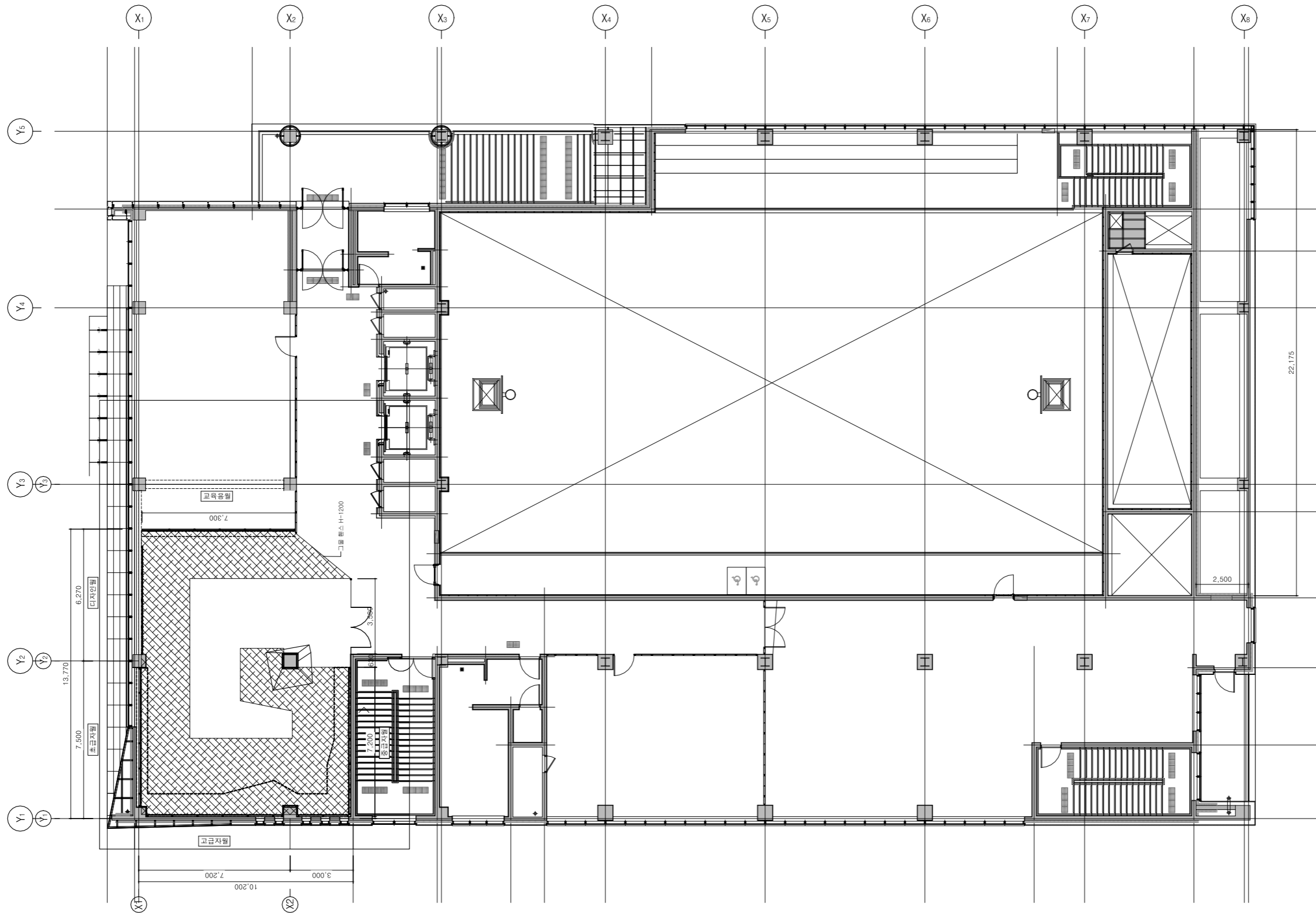
DRAWING TITLE

변경평면도

DATE
2021. 11. 27

SCALE
1 / 200

DRAWING NO.
CT - 002



1 변경평면도
축척: 1 / 200



군포도시공사
Gunpo Urban Corporation

PROJECT TITLE
군포국민체육센터 인공암벽설치

PROJECT NO.

NOTE

DRAWING BY

DESIGNED BY

SUBMITTED BY

APPROVED BY

CONSULTANTS

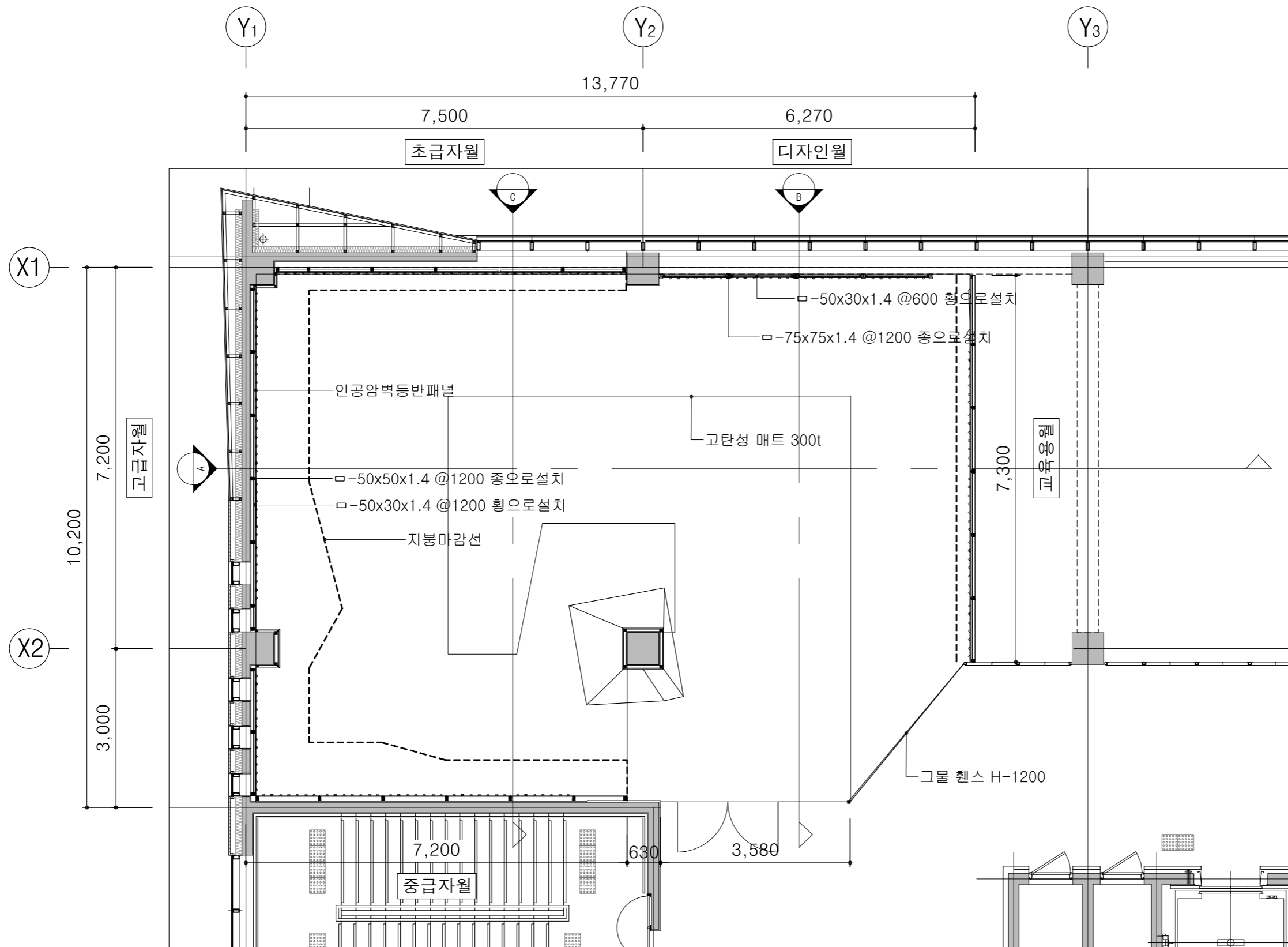
DRAWING TITLE

바닥 평면도

DATE
2021. 11. 27

SCALE
1 / 80

DRAWING NO.
CT - 101



1 바닥 평면도
축척: 1 / 80



군포도시공사
Gunpo Urban Corporation

PROJECT TITLE

군포국민체육센터 인공암벽설치

PROJECT NO.

NOTE

DRAWING BY

DESIGNED BY

SUBMITTED BY

APPROVED BY

CONSULTANTS

DRAWING TITLE

지붕 평면도

DATE

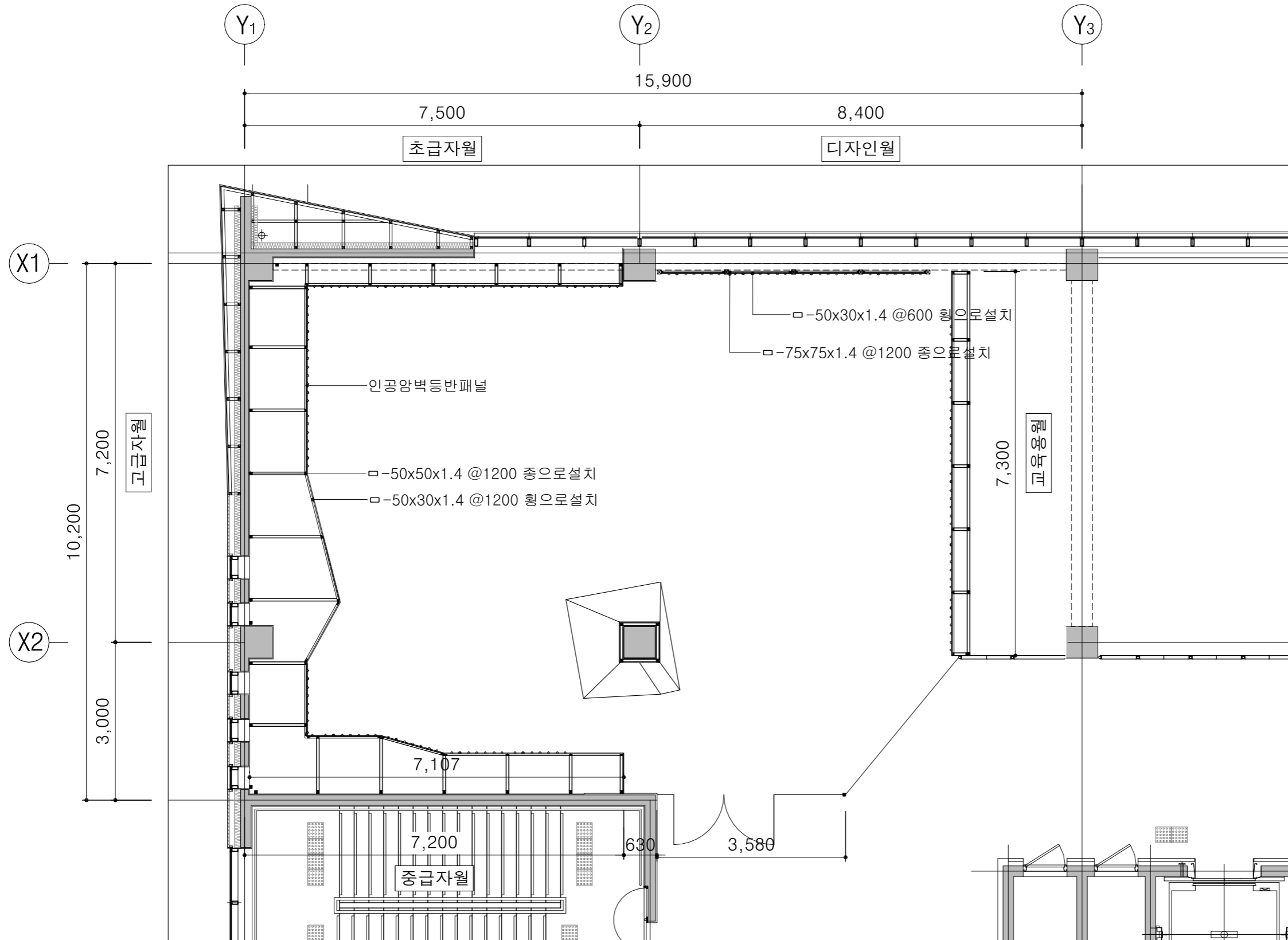
2021. 11. 27

SCALE

1 / 80

DRAWING NO.

CT - 102



1 지붕 평면도
축척: 1 / 80



군포도시공사
Gunpo Urban Corporation

PROJECT TITLE
군포국민체육센터 인공암벽설치

PROJECT NO.

NOTE

DRAWING BY

DESIGNED BY

SUBMITTED BY

APPROVED BY

CONSULTANTS

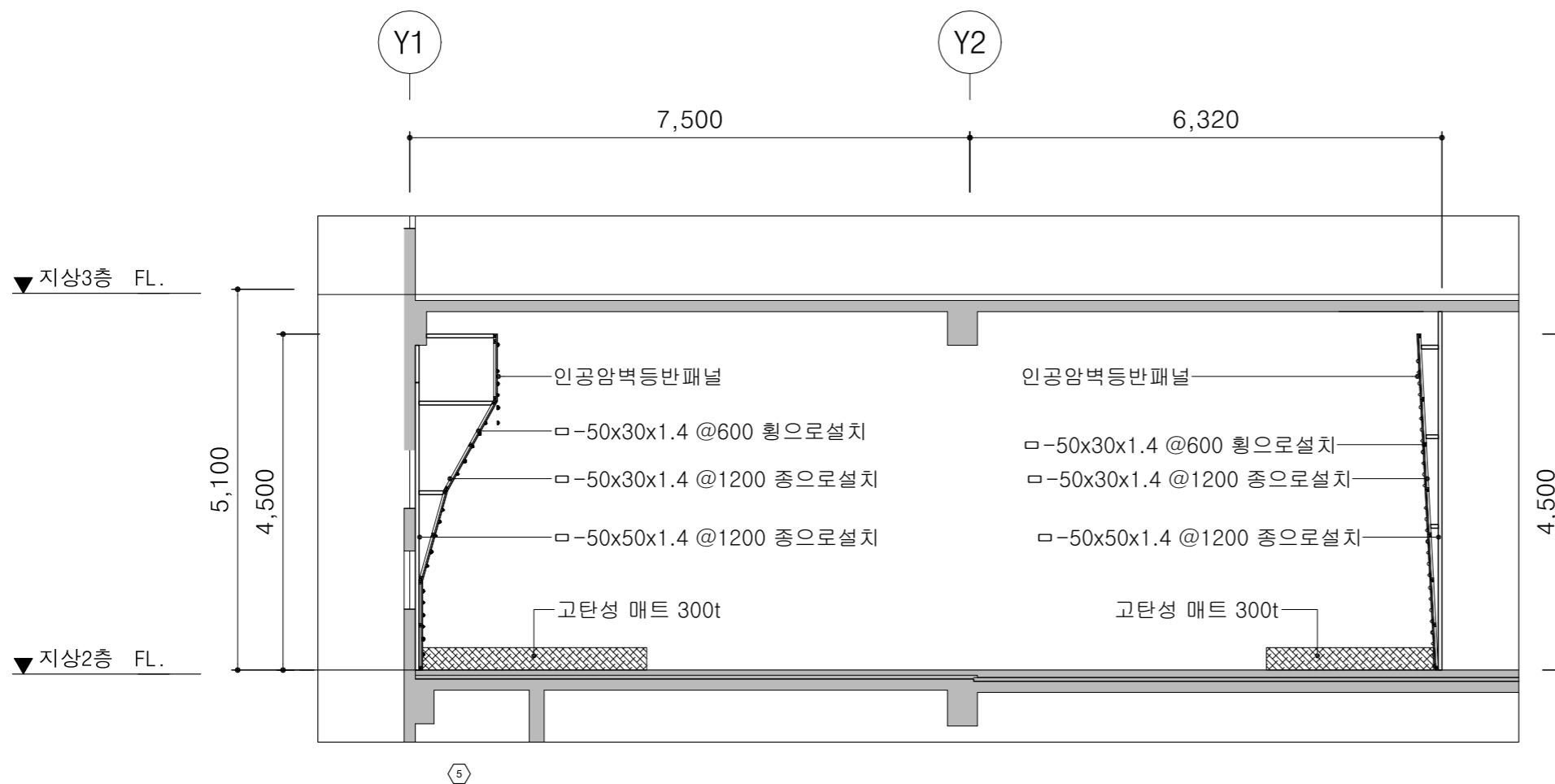
DRAWING TITLE

"A" 단면도

DATE
2021. 11. 27

SCALE
1 / 80

DRAWING NO.
CT - 201



1 "A" 단면도
축척: 1 / 80



군포도시공사
Gunpo Urban Corporation

PROJECT TITLE
군포국민체육센터 인공암벽설치

PROJECT NO.

NOTE

DRAWING BY

DESIGNED BY

SUBMITTED BY

APPROVED BY

CONSULTANTS

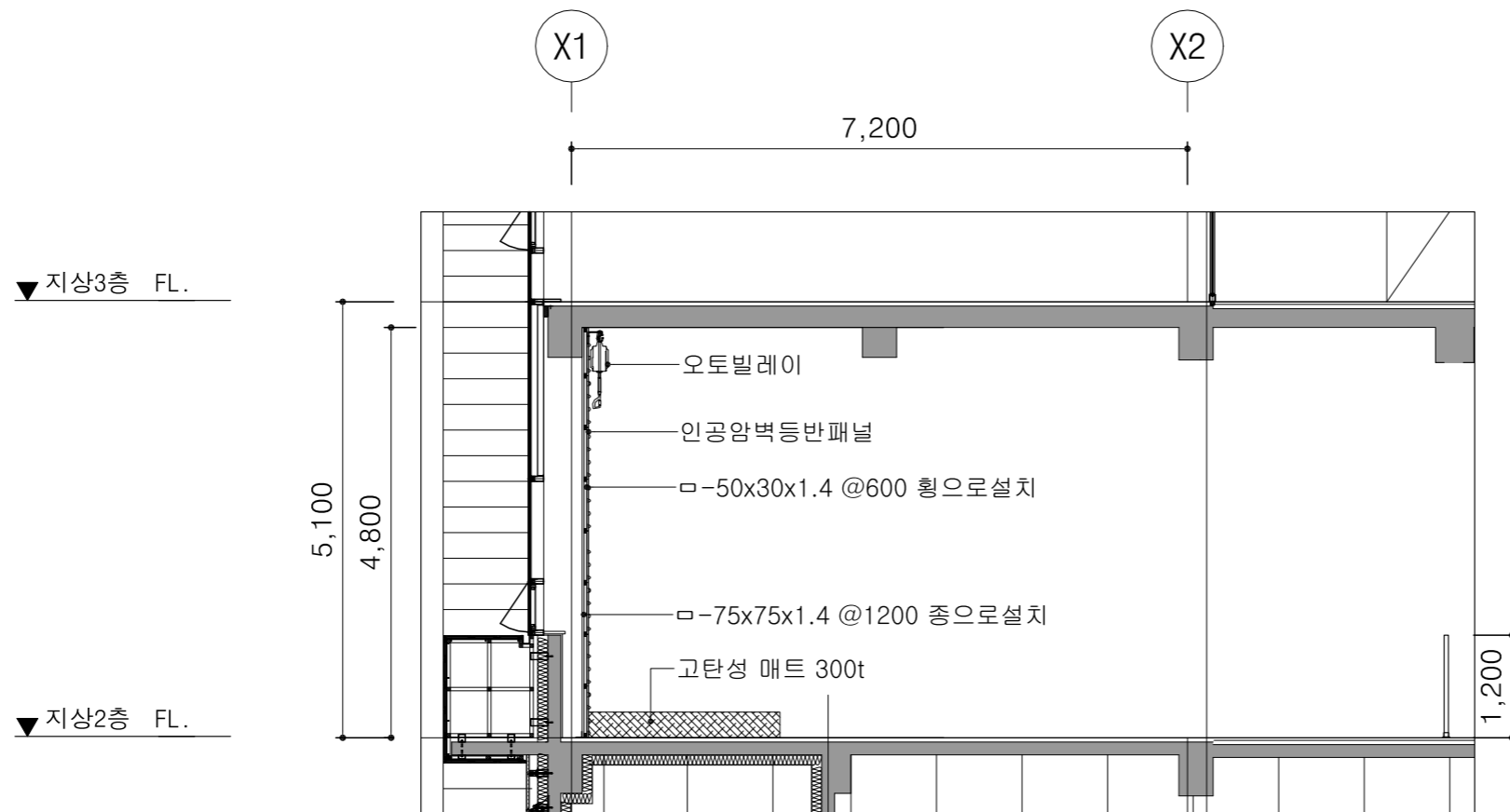
DRAWING TITLE

"B" 단면도

DATE
2021 . 11 . 27

SCALE
1 / 80

DRAWING NO.
CT - 202



1 "B" 단면도
축척: 1 / 80



군포도시공사
Gunpo Urban Corporation

PROJECT TITLE
군포국민체육센터 인공암벽설치

PROJECT NO.

NOTE

DRAWING BY

DESIGNED BY

SUBMITTED BY

APPROVED BY

CONSULTANTS

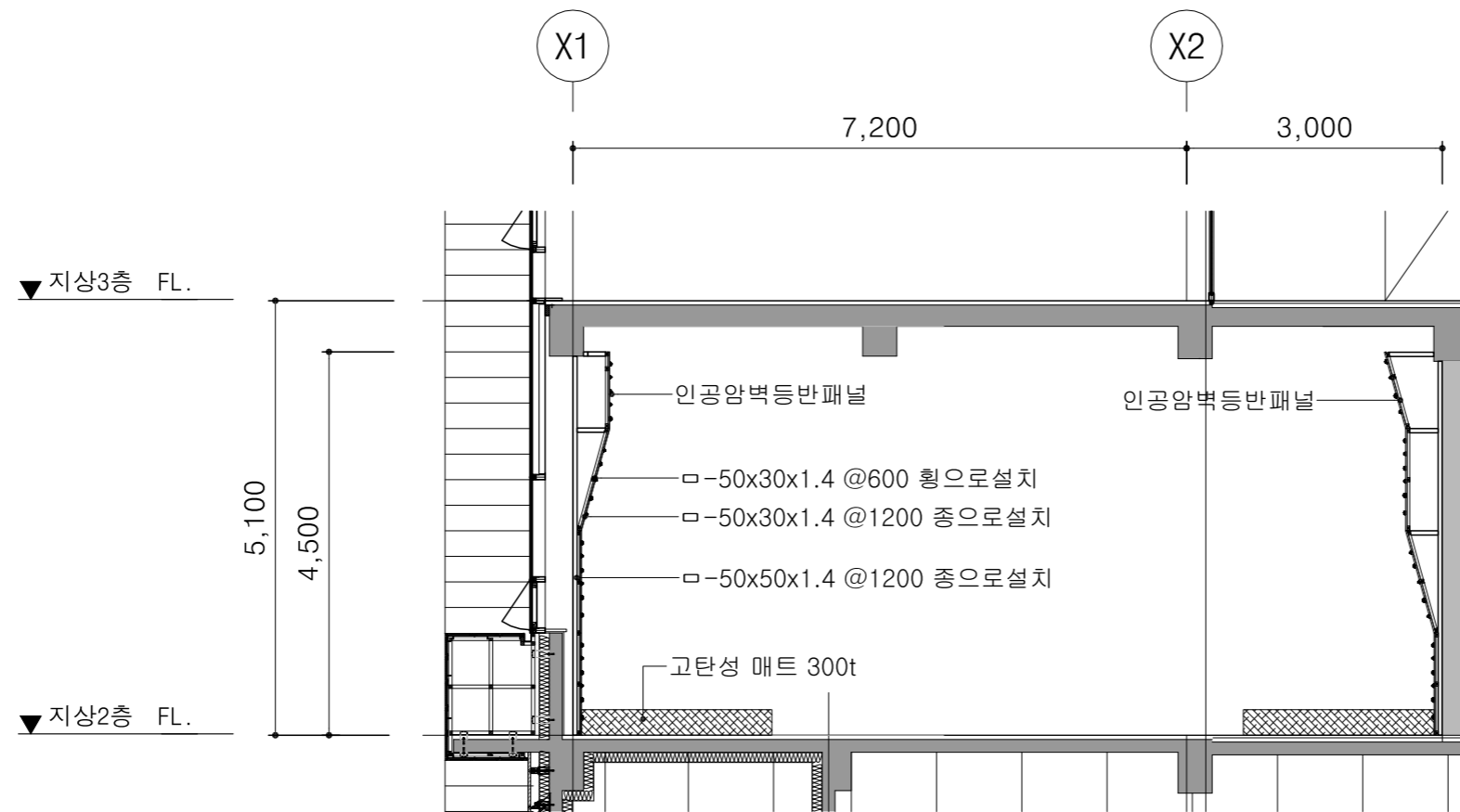
DRAWING TITLE

"C" 단면도

DATE
2021 . 11 . 27

SCALE
1 / 80

DRAWING NO.
CT - 203



1 "C" 단면도
축척: 1 / 80



군포도시공사
Gunpo Urban Corporation

PROJECT TITLE

PROJECT NO.
군포국민체육센터 인공암벽설치

NOTE

DRAWING BY

DESIGNED BY

SUBMITTED BY

APPROVED BY

CONSULTANTS

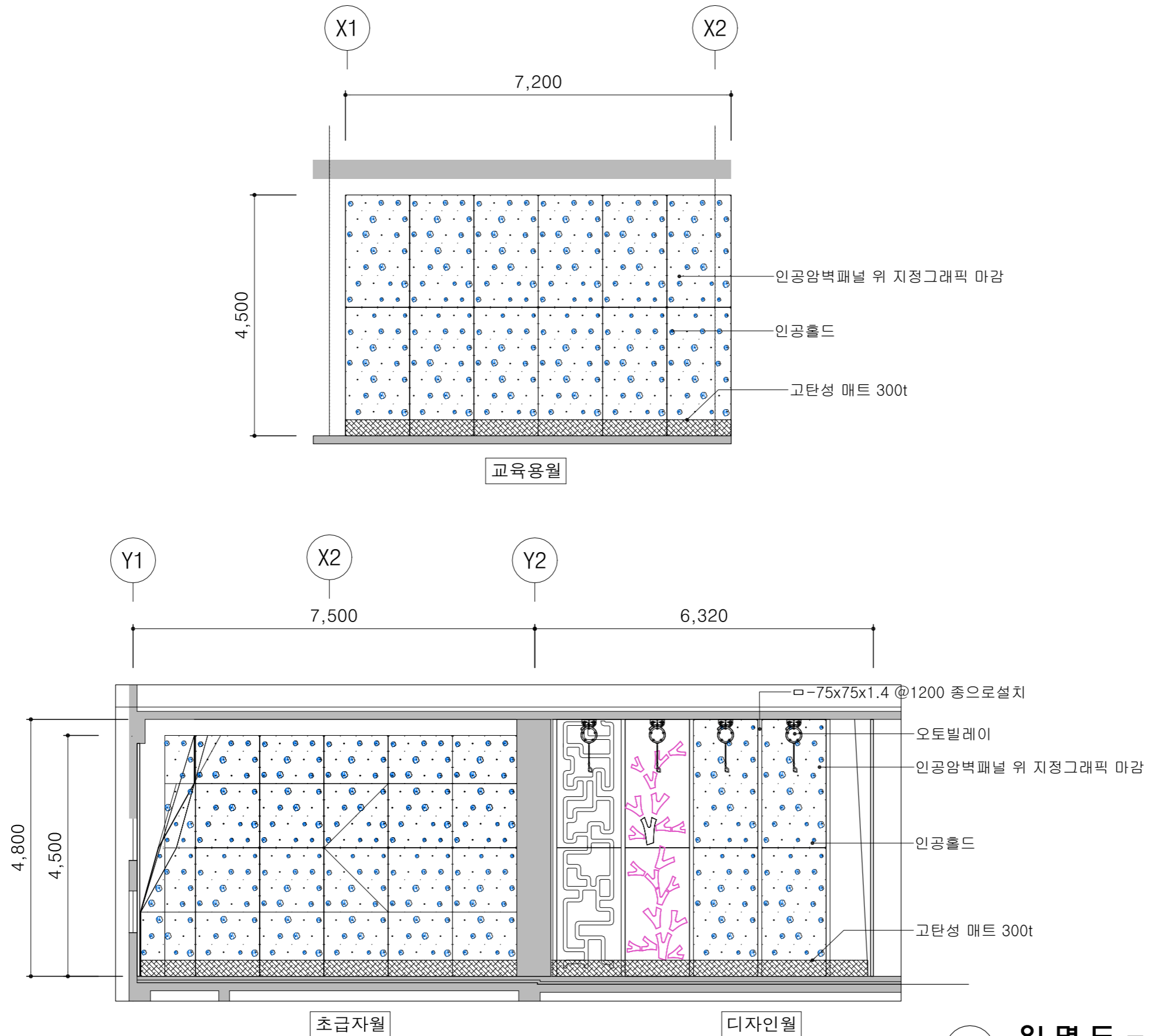
DRAWING TITLE

입면도 - 1

DATE
2021. 11. 27

SCALE
1 / 80

DRAWING NO.
CT - 204



1 입면도 - 1

축척: 1 / 80



군포도시공사
Gunpo Urban Corporation

PROJECT TITLE
군포국민체육센터 인공암벽설치

PROJECT NO.

NOTE

DRAWING BY

DESIGNED BY

SUBMITTED BY

APPROVED BY

CONSULTANTS

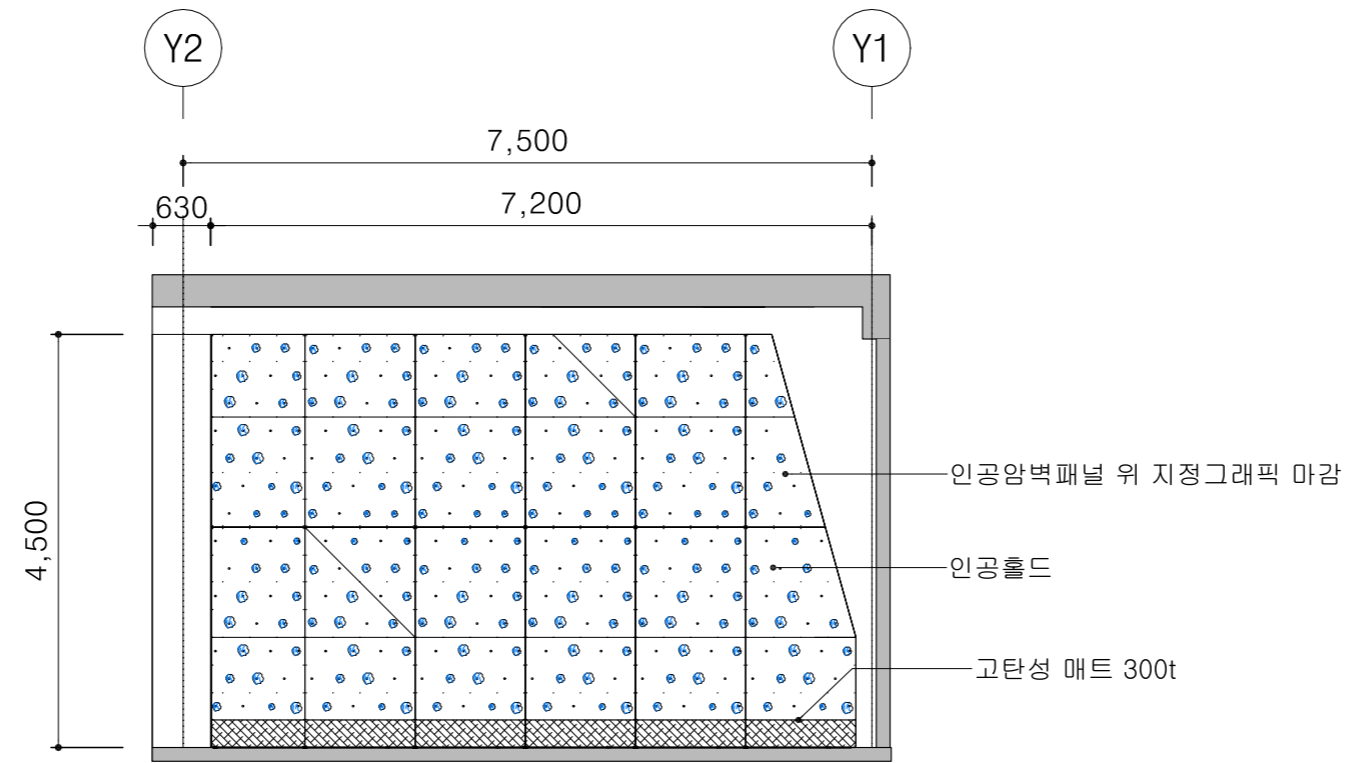
DRAWING TITLE

입면도 - 2

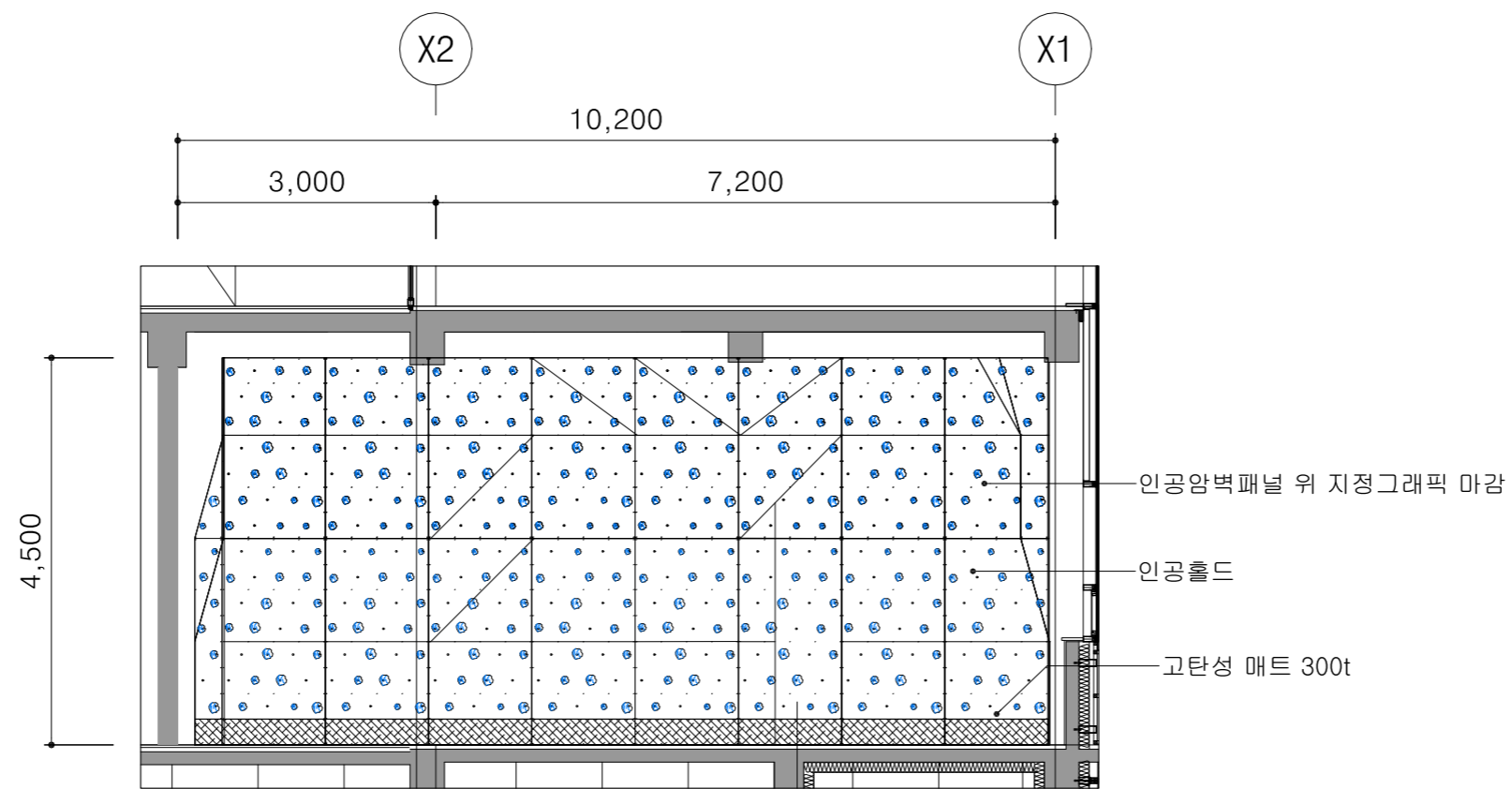
DATE
2021. 11. 27

SCALE
1 / 80

DRAWING NO.
CT - 205



중급자월



고급자월

1 **입면도 - 2**
축척: 1 / 80



군포도시공사
Gunpo Urban Corporation

PROJECT TITLE
군포국민체육센터 인공암벽설치

PROJECT NO.

NOTE

DRAWING BY

DESIGNED BY

SUBMITTED BY

APPROVED BY

CONSULTANTS

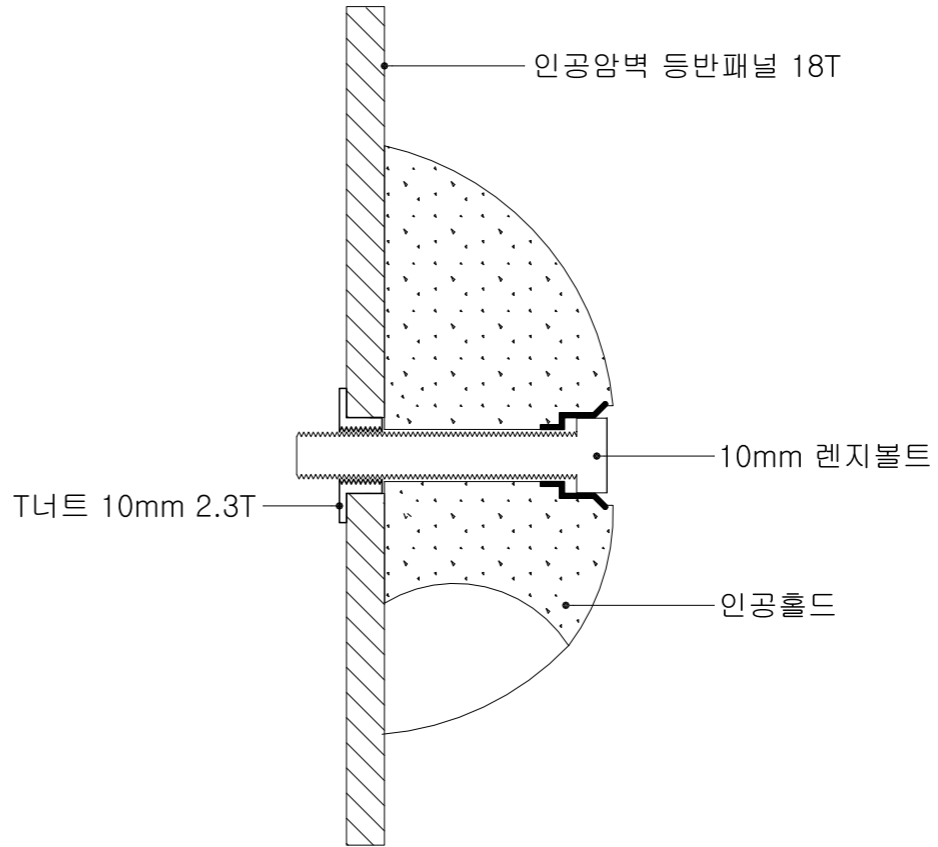
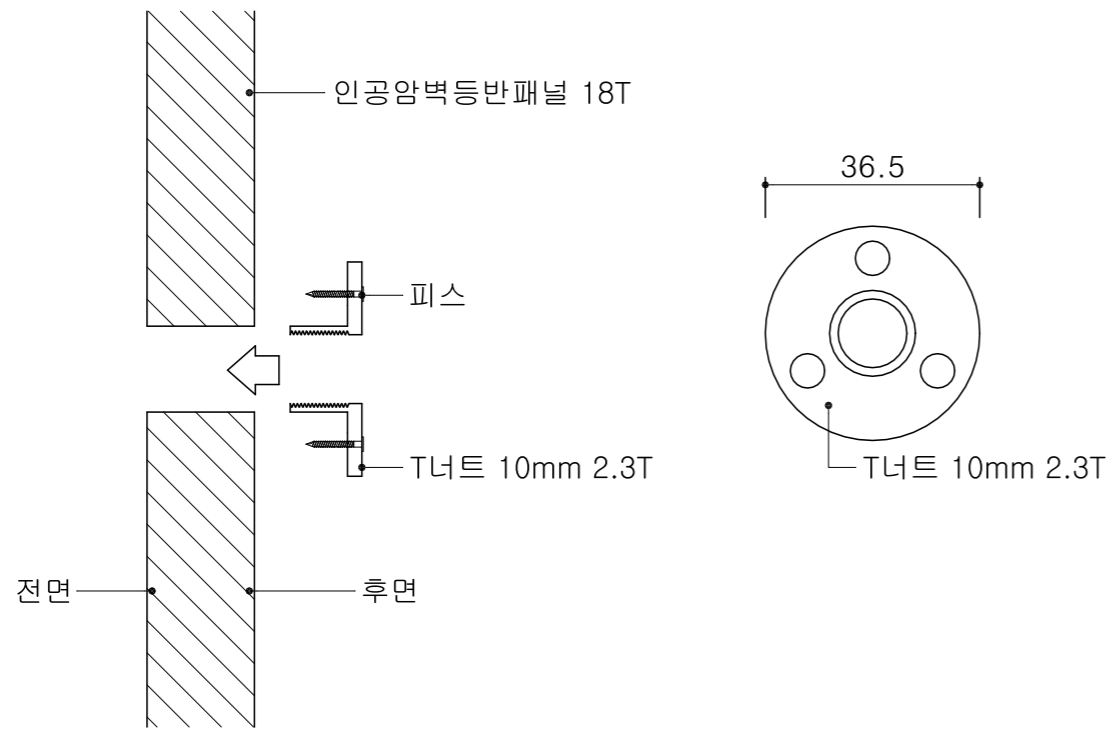
DRAWING TITLE

상세도

DATE
2021. 11. 28

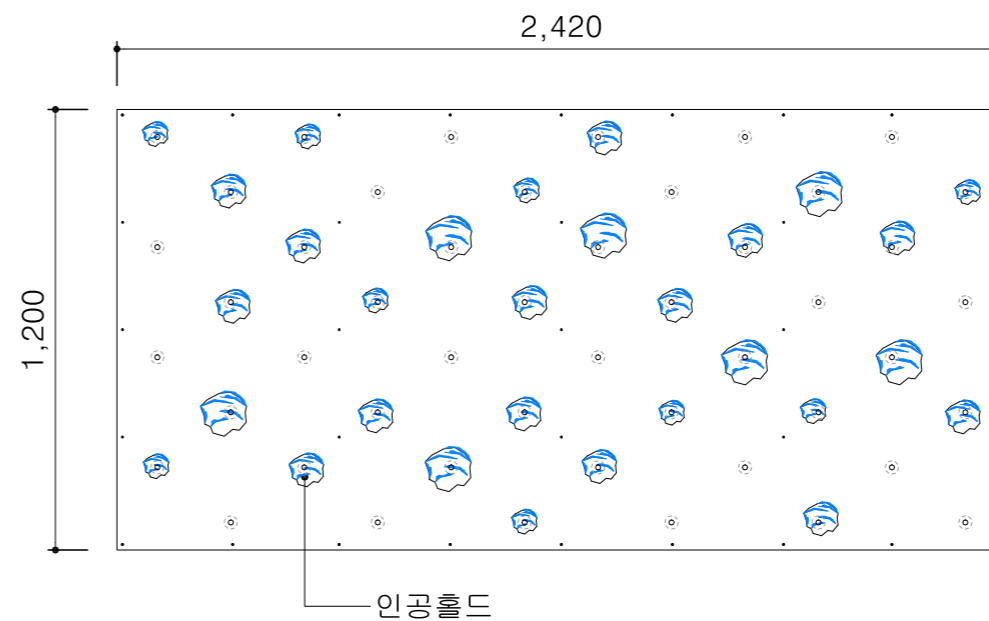
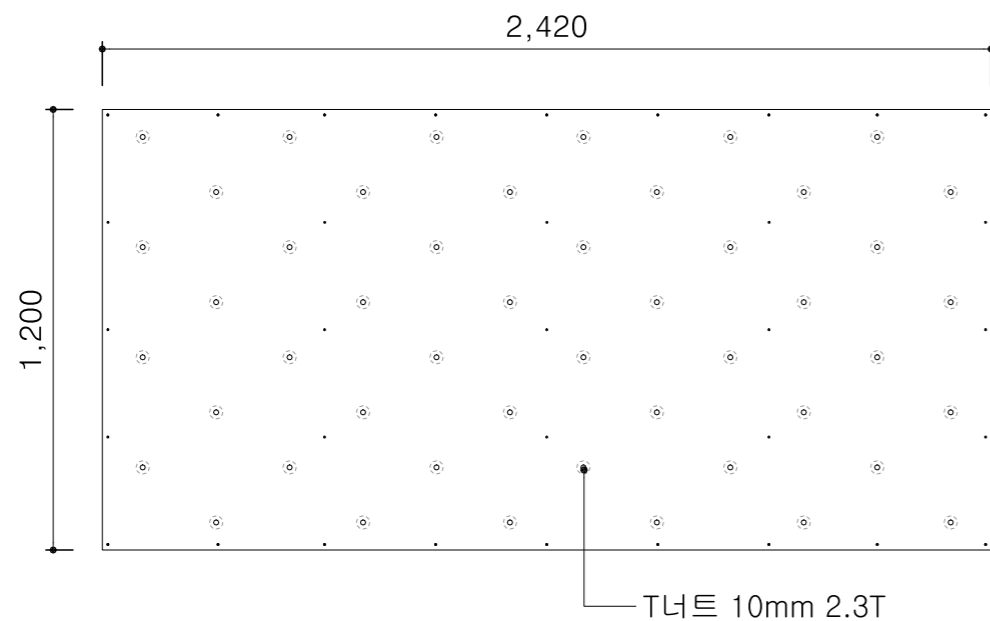
SCALE
1 / none

DRAWING NO.
CT - 301



1 인공홀드 체결 너트 상세도

2 인공홀드 설치 단면 상세도



3 인공암벽 등반패널 홀 가공도 (48홀)

4 인공홀드 설치예시 (현장여건에 따라 홀드 위치 변경될 수있음)



군포도시공사
Gunpo Urban Corporation

PROJECT TITLE
군포국민체육센터 인공암벽설치

PROJECT NO.

NOTE

DRAWING BY

DESIGNED BY

SUBMITTED BY

APPROVED BY

CONSULTANTS

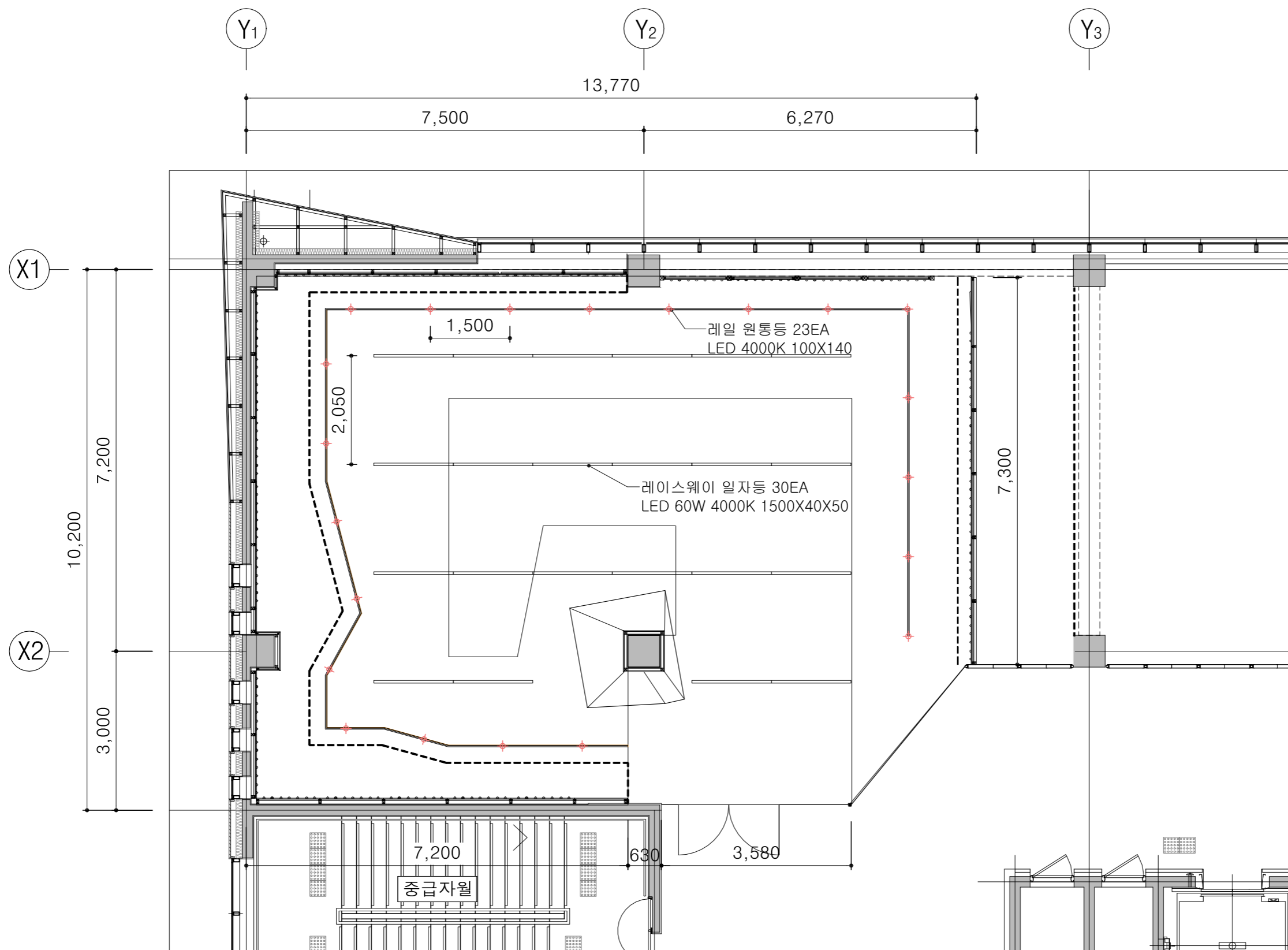
DRAWING TITLE

조명 평면도

DATE
2021 . 11 . 27

SCALE
1 / 80

DRAWING NO.
CT - 401



1 조명평면도

축척: 1 / 80