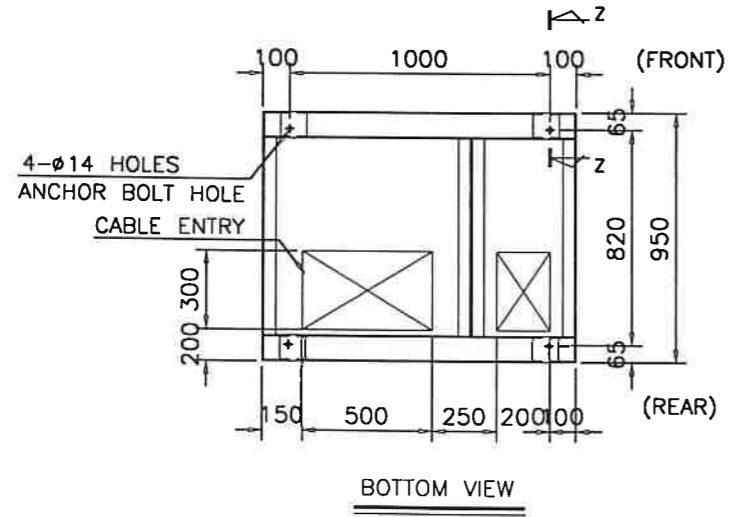
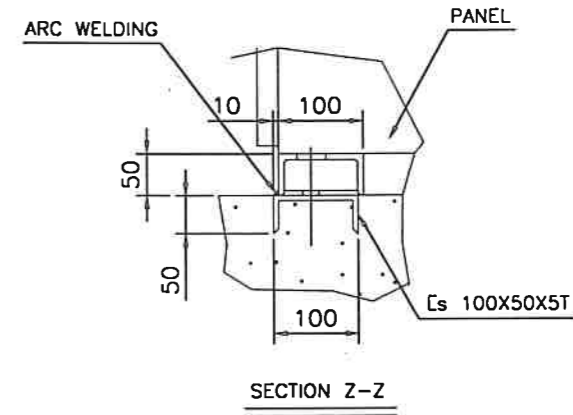
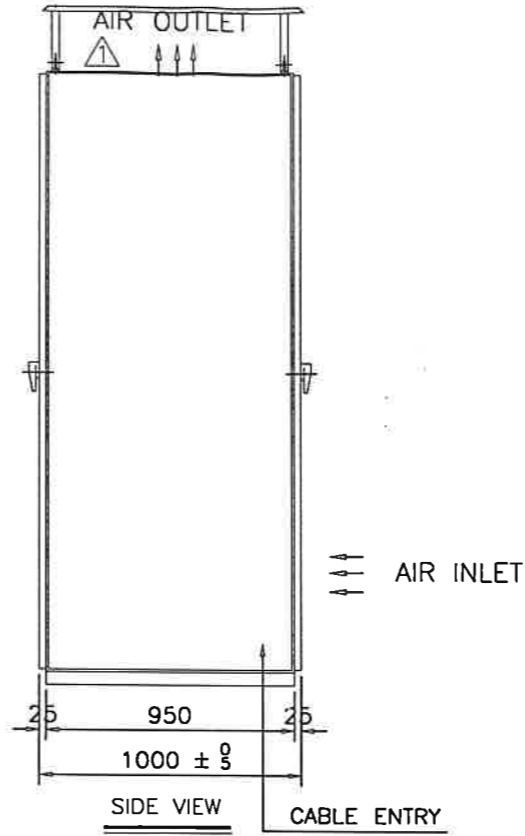
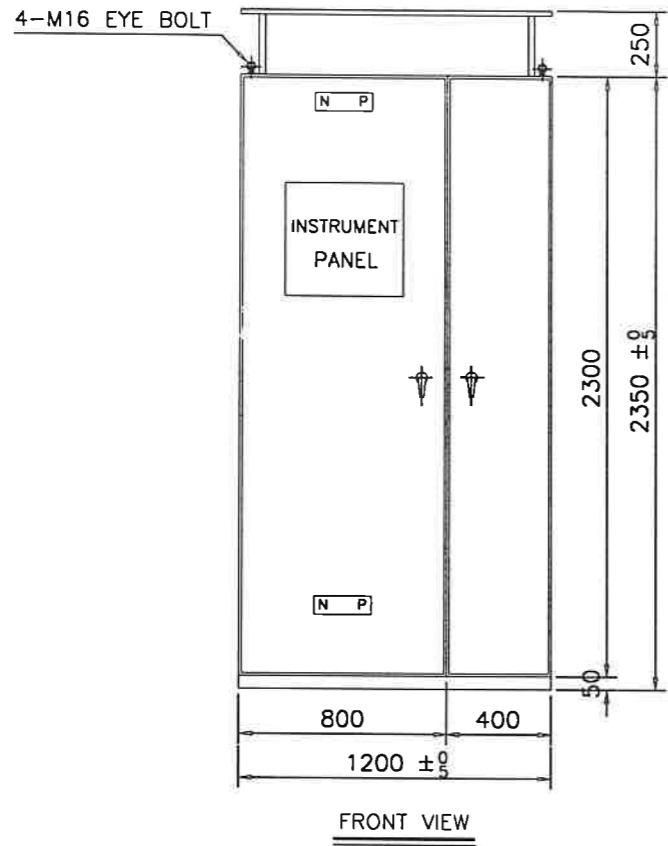


| REV. | DATE | DESCRIPTION | DRAWN | APPROD. | DRAWN | CHECKED | APPROD. | SU YOUNG ELECTRIC CO., LTD. | TITLE : SINGLE LINE DIAGRAM |
|------|------------|-------------|--------------------|--------------------|--------------------|--------------------|--------------------|--|-----------------------------|
| 0 | 99. 12. 11 | FOR FINAL | <i>[Signature]</i> | <i>[Signature]</i> | <i>[Signature]</i> | <i>[Signature]</i> | <i>[Signature]</i> | | DRAWING NO. |
| | | | | | | | | | DRAW. DATE : 99. 5. 15 |

NOTES:

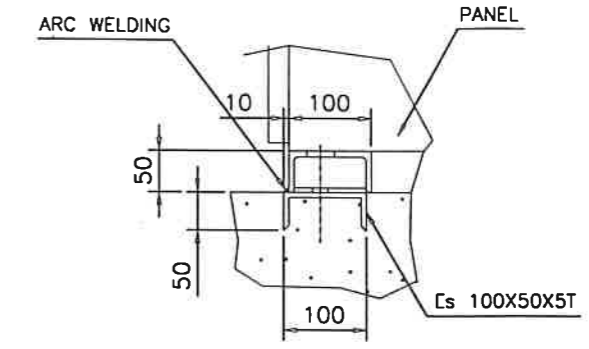
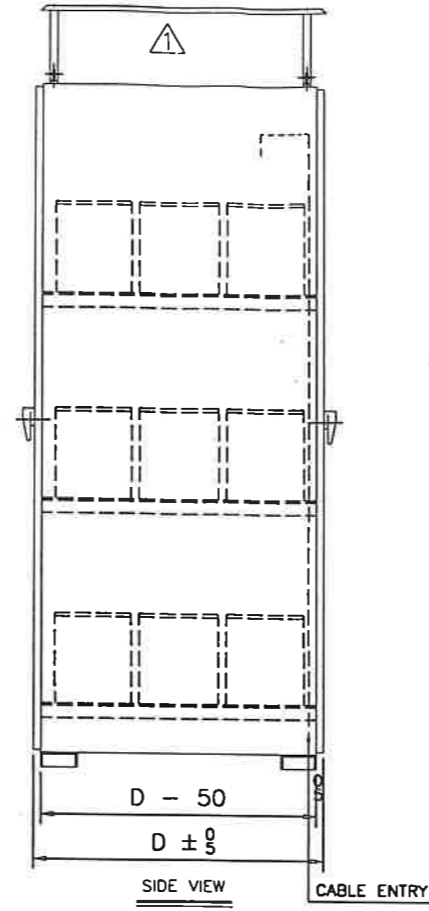
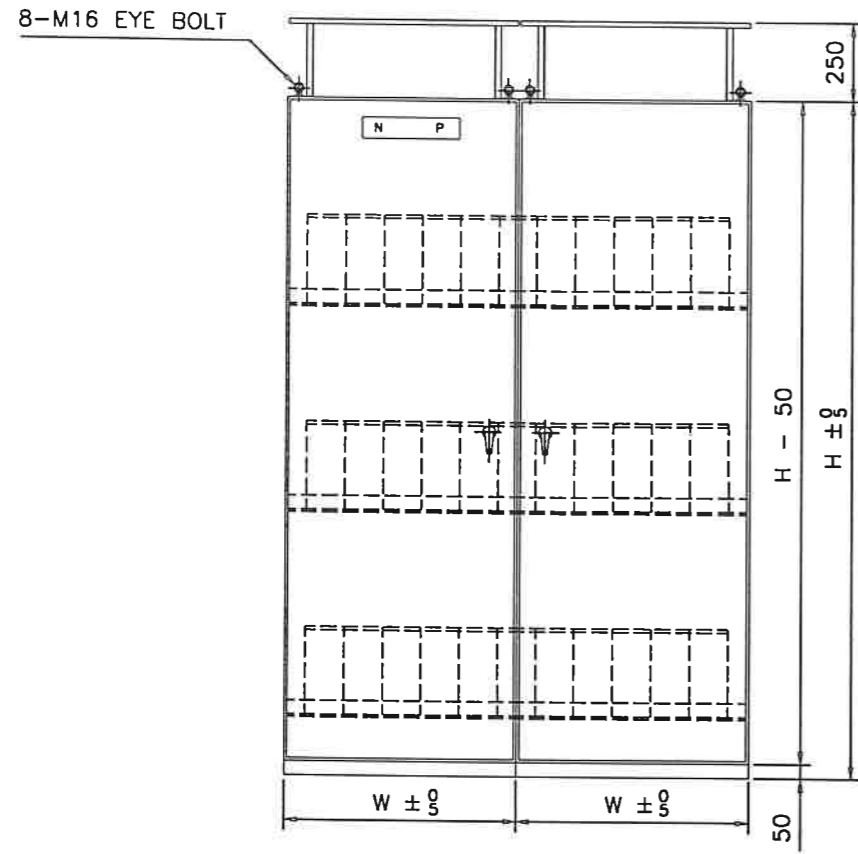
| REV. | DESCRIPTION | ENGR | APPVD | DATE |
|------|-------------|------|-------|----------|
| △ | FOR FINAL | 김지영 | 이준성 | 99.12.11 |
| | | | | |
| | | | | |



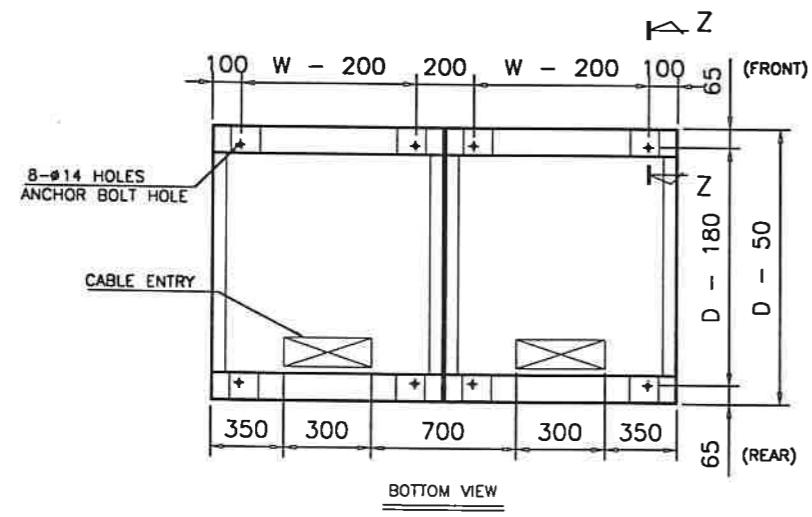
- *** NOTE ***
- COLOR : MUNSELL NO. 7.5BG 6/1.5
 - STEEL THICKNESS : FRONT, REAR DOOR 3.2T
TOP, SIDE PANEL 2.3T
 - WEIGHT : 900 KG (TOTAL)
 - PANEL NUMBER : (MC-IN-101)
 - NEMA TYPE 1 WITH GASKETED & HINGED DOORS
 - SPACES FOR DOOR OPENING ARE THE SAME IN FRONT & REAR.
(SPACES FOR MAINTENANCE ARE THE SAME WITH THOSE FOR DOOR OPENING.)

| | | | | |
|-------------------|-----------|-----------|---------------|--------------------------------------|
| SCALE 1 / 20 | UNIT : mm | DFTR 김지영 | DATE 99.11.01 | 수영전기기업 Suyoung Electric Co., Ltd. |
| TOLERANCE : ± 0.5 | SIZE : A2 | ENGR 김지영 | DATE 99.11.01 | |
| MATERIAL : | | APPVD 김종학 | DATE 99.11.01 | DWG TITLE B/C & DISTRIBUTION OTLINE |
| FINISH : | | APPVD 이준성 | DATE 99.11.01 | DWG NO. C06-9960-40011 |
| | | | | SHEET 1 / 1 |
| | | | | REL. DWG DC 110V 500A |

| REV. | DESCRIPTION | ENGR | APPVD | DATE |
|------|-------------|------|-------|----------|
| △ | FOR FINAL | 김지영 | 이준성 | 99.12.11 |
| | | | | |
| | | | | |

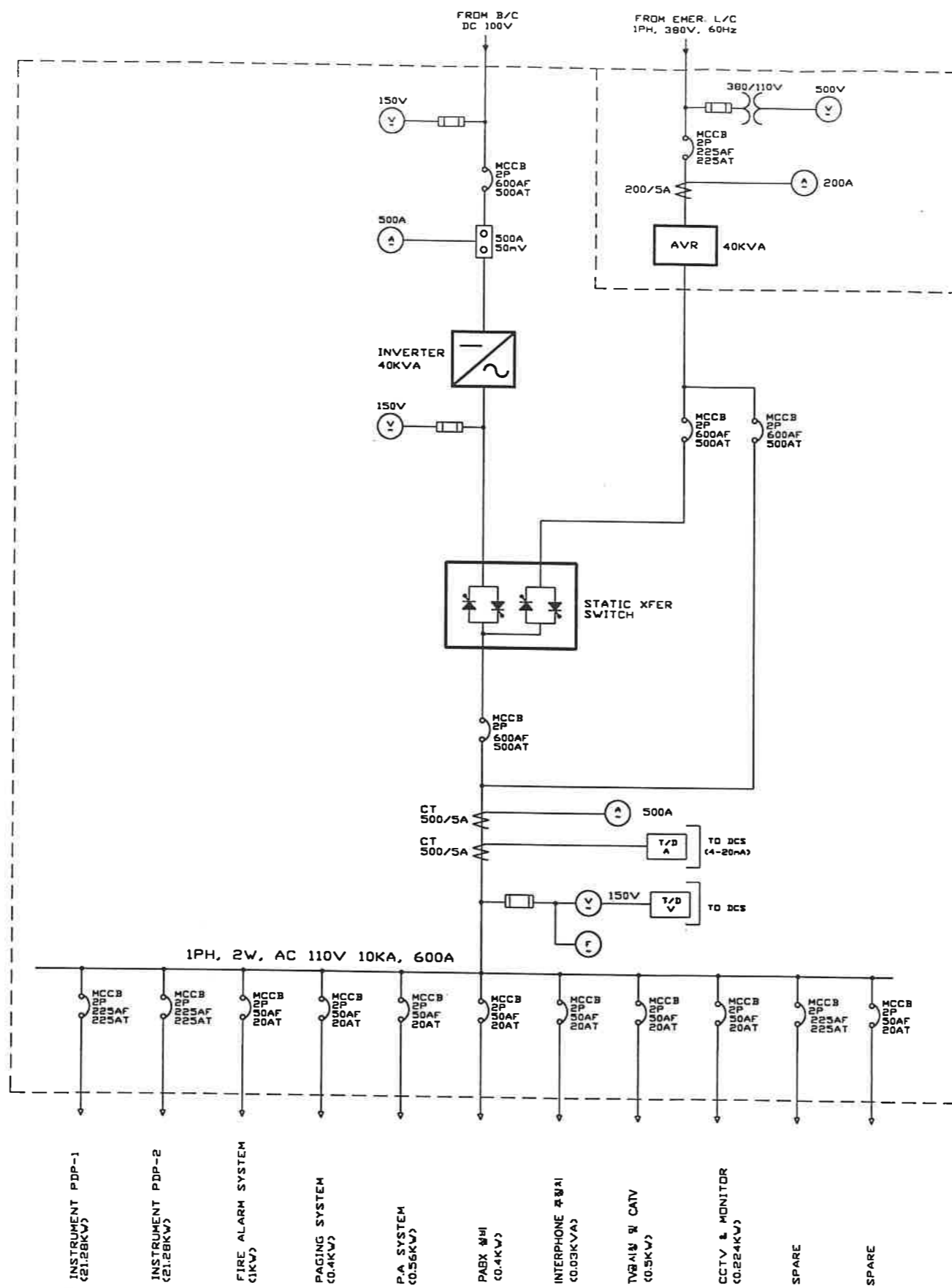


- *** NOTE ***
- COLOR : MUNSELL NO. 7.5BG 6/1.5
 - STELL THICKNESS : FRONT, REAR DOOR 3.2T
TOP, SIDE PANEL 2.3T
 - WEIGHT : 3500 KG (TOTAL)
 - PANEL NUMBER : (MC-BATT-101)
 - NEMA TYPE 1 WITH GASKETED & HINGED DOORS
 - SPACE FOR DOOR OPENING ARE THE SAME IN FRONT & REAR.
(SPACE FOR MAINTENANCE ARE THE SAME WITH THOSE FOR DOOR OPENING.)



| BATT,TYPE | CELLS | BATT.DIMENSION (WxDxH) | BATT. CUBICLE (WxDxH) | Q'TY |
|-----------|-------|------------------------|-----------------------|------|
| KPH 400PE | 92c | 170x285x455 | 1000x1500x2350 | 2SET |

| SCALE | S / N | UNIT : mm | DFTR | DATE | 수영전기기업 Suyoung Electric Co., Ltd. |
|------------|-------|-----------|-------|----------|--------------------------------------|
| TOLERANCE | ± 0.5 | SIZE : A2 | 김지영 | 99.11.01 | |
| MATERIAL : | | | ENGR | DATE | DWG TITLE |
| FINISH : | | | 한영진 | 99.11.01 | BATT. OUTLINE DWG. |
| | | | APPVD | DATE | DWG NO. |
| | | | 김종학 | 99.11.01 | Z0400-092-E |
| | | | APPVD | DATE | SHEET |
| | | | 이준성 | 99.11.01 | 1 / 1 |
| | | | | | REL. DWG |
| | | | | | DC 110V 500A |



NOTES:

| | | | | | | | | |
|------|------------|-------------|-------|--------|-----|-------|---------|--------|
| △ | | | | | | DRAWN | CHECKED | APPRO. |
| △ | | | | | | | | |
| △ | 99. 12. 11 | FOR FINAL | 이왕근 | 이성열 | 이왕근 | | | |
| REV. | DATE | DESCRIPTION | DRAWN | APPRO. | | | | |

수영전기기업
Su Young Electric Co., Ltd.

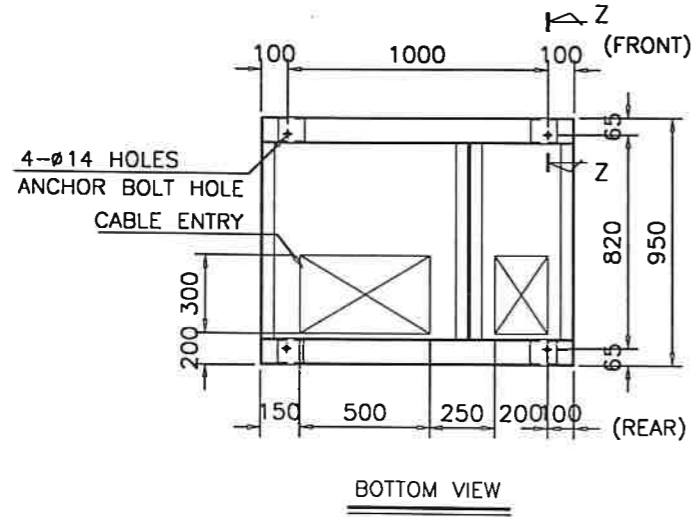
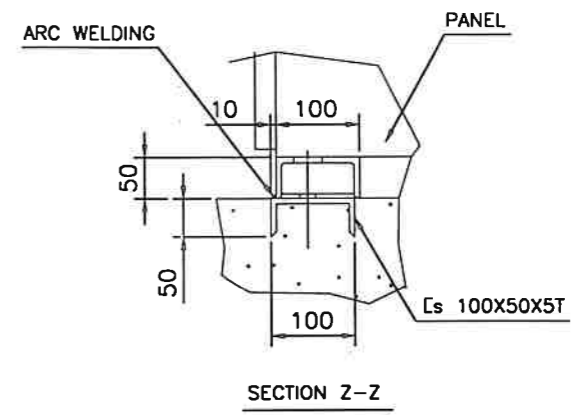
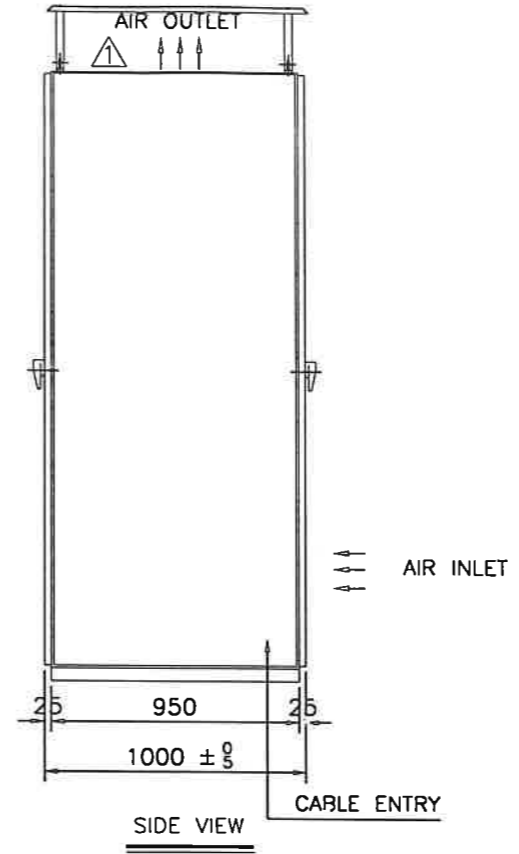
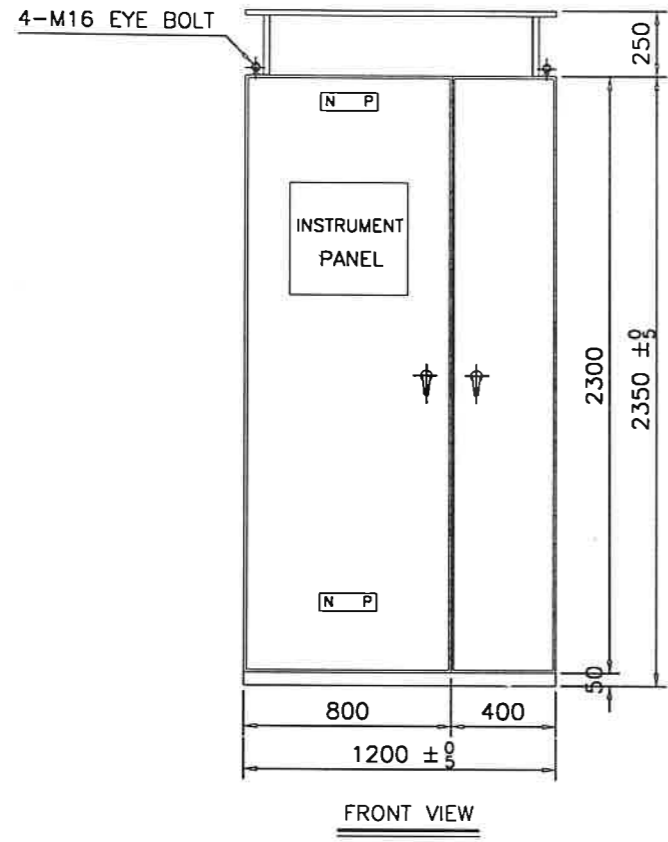
TITLE: SINGLE LINE DIAGRAM

DRAWING NO.

DRAW. DATW : 99. 11. 01

1 4 5 - 9 9 4 7 - 0 0 1 0 1

| REV. | DESCRIPTION | ENGR | APPVD | DATE |
|------|-------------|------|-------|----------|
| △ | FOR FINAL | 한영민 | 이준성 | 99.12.11 |
| | | | | |
| | | | | |

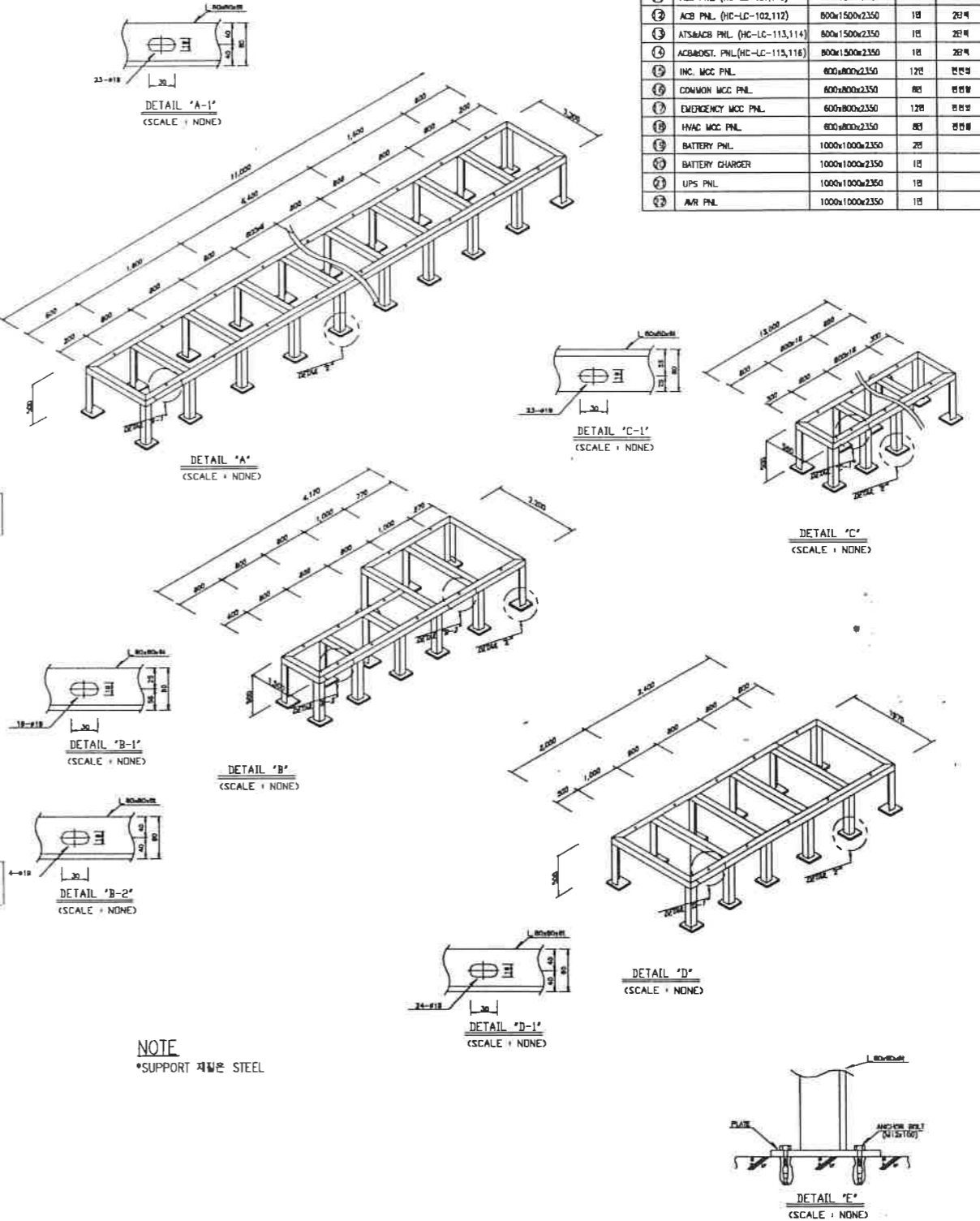
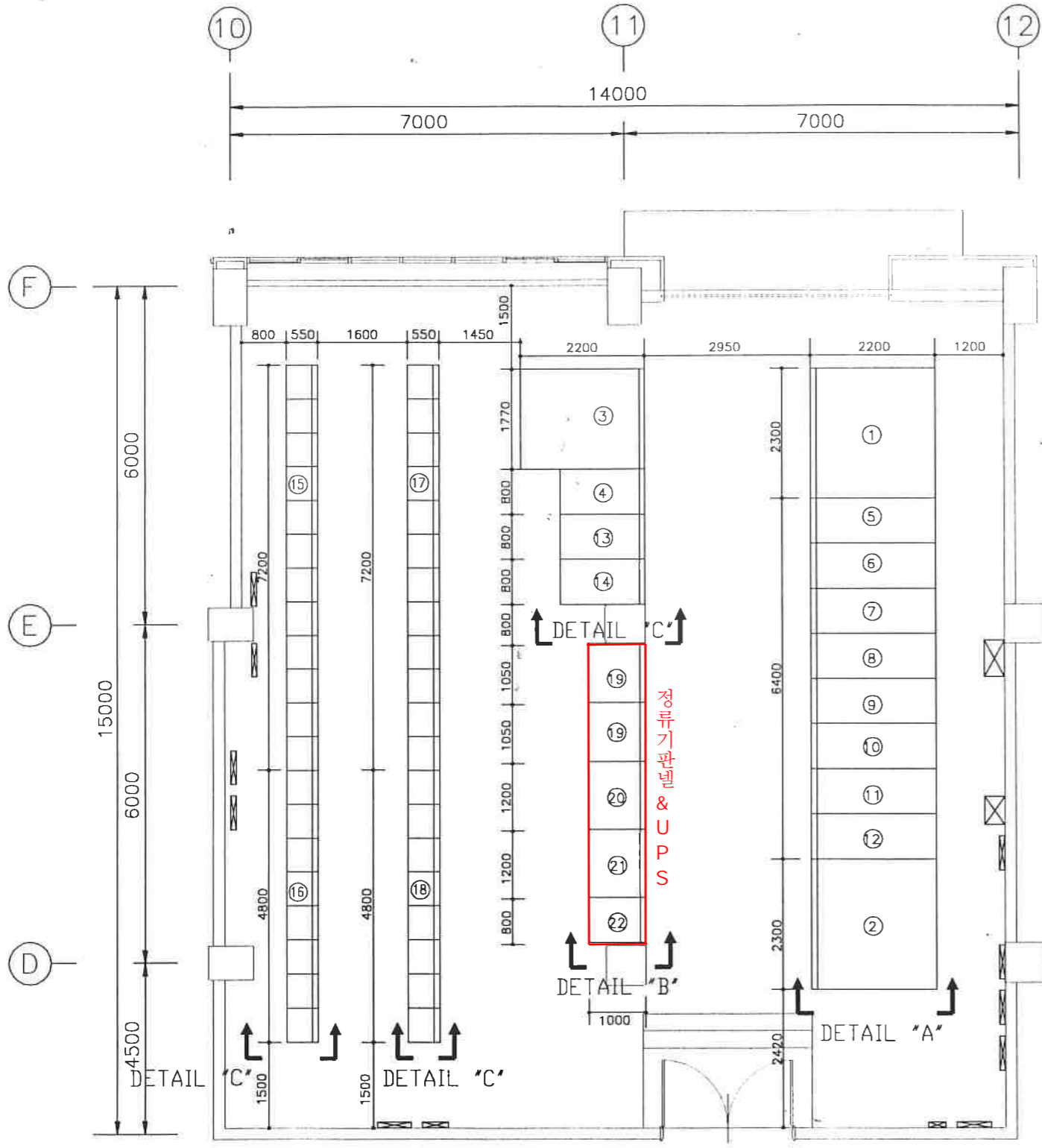


- *** NOTE ***
- COLOR : MUNSELL NO. 7.5BG 6/1.5
 - STEEL THICKNESS : FRONT, REAR DOOR 3.2T
TOP, SIDE PANEL 2.3T
 - WEIGHT : 900 .KG (TOTAL)
 - PANEL NUMBER : (MC-IN-101)
 - NEMA TYPE 1 WITH GASKETED & HINGED DOORS
 - SPACES FOR DOOR OPENING ARE THE SAME IN FRONT & REAR.
(SPACES FOR MAINTENANCE ARE THE SAME WITH THOSE FOR DOOR OPENING.)

| | | | | |
|-------------------|-----------|--------------|------------------|---|
| SCALE 1 / 20 | UNIT : mm | DFTR 강지영 | DATE 99.11.01 | 수영전기기업 Suyoung Electric Co., Ltd. |
| TOLERANCE : ± 0.5 | SIZE : A2 | ENGR 한영민 | DATE 99.11.01 | |
| MATERIAL : | | APPVD 김종학 | DATE 99.11.01 | DWG TITLE UPS & DISTRIBUTION OUTLINE |
| FINISH : | | APPVD 이준성 | DATE 99.11.01 | DWG NO. C06-9940-40011 |
| | | | | REL. DWG INVERTER 40KVA |
| | | | | SHEET 1 / 1 |

ELEC. EQUIPMENT LIST

| NO. | DESCRIPTION | SIZE | Q'TY | REMARK |
|-----|--------------------------------|----------------|------|--------|
| ① | 동력용 TR-2A(HC-TR-101) | 2500x2200x2350 | 18 | W/D5 |
| ② | 동력용 TR-2B(HC-TR-102) | 2500x2200x2350 | 18 | W/D5 |
| ③ | 조명용 TR-3(HC-TR-103) | 1500x2200x2350 | 18 | |
| ④ | LTC. DIST. PNL.(HC-LC-118,119) | 800x2200x2350 | 18 | 29# |
| ⑤ | ACB PNL.(HC-LC-101,111) | 800x1500x2350 | 18 | 29# |
| ⑥ | FDI PNL.(HC-LC-103) | 800x1500x2350 | 18 | |
| ⑦ | 안전정류장 PNL.(HC-LC-104) | 800x1500x2350 | 18 | |
| ⑧ | 안전정류장 PNL.(HC-LC-105) | 800x1500x2350 | 18 | |
| ⑨ | ACB PNL.(HC-LC-108,110) | 800x1500x2350 | 18 | 29# |
| ⑩ | 안전정류장 PNL.(HC-LC-109) | 800x1500x2350 | 18 | |
| ⑪ | ACB PNL.(HC-LC-107,109) | 800x1500x2350 | 18 | 29# |
| ⑫ | ACB PNL.(HC-LC-102,112) | 800x1500x2350 | 18 | 29# |
| ⑬ | ATS&ACB PNL.(HC-LC-113,114) | 800x1500x2350 | 18 | 29# |
| ⑭ | ACB&DST. PNL.(HC-LC-115,116) | 800x1500x2350 | 18 | 29# |
| ⑮ | INC. MCC PNL. | 800x800x2350 | 12 | 정면 |
| ⑯ | COMMON MCC PNL. | 800x800x2350 | 8 | 정면 |
| ⑰ | EMERGENCY MCC PNL. | 600x800x2350 | 12 | 정면 |
| ⑱ | HVAC MCC PNL. | 800x800x2350 | 8 | 정면 |
| ⑲ | BATTERY PNL. | 1000x1000x2350 | 2 | |
| ㉑ | BATTERY CHARGER | 1000x1000x2350 | 1 | |
| ㉒ | UPS PNL. | 1000x1000x2350 | 1 | |
| ㉓ | AIR PNL. | 1000x1000x2350 | 1 | |



NOTE
*SUPPORT 재질은 STEEL

전기실 기기배치도

| | |
|----------|-------------------------|
| F | AS BUILT |
| 01.05.25 | FOR CONSTRUCTION |
| 09. 8.11 | K.J.C.C.T.S.S.K.S.Y.S.J |
| Rev. No. | DESCRIPTION |
| 일 자 | 설계 검토 심사 승인 |
| 감 리 자 | |
| | 주식회사 대우 |
| | 설계 및 시공사 |
| | 현대건설주식회사 |
| | 주식회사 진도 |
| 속 적 | SCALE 1/50 |
| 도면번호 | SHEET NO. GPEW-120 |
| 도 면 명 | SUBJECT TITLE 전기실 기기배치도 |