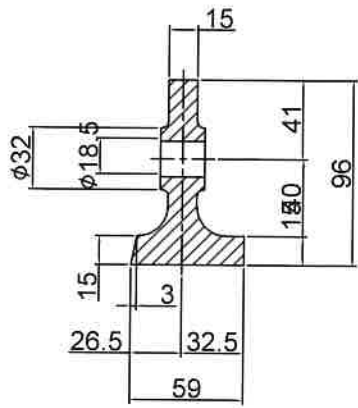
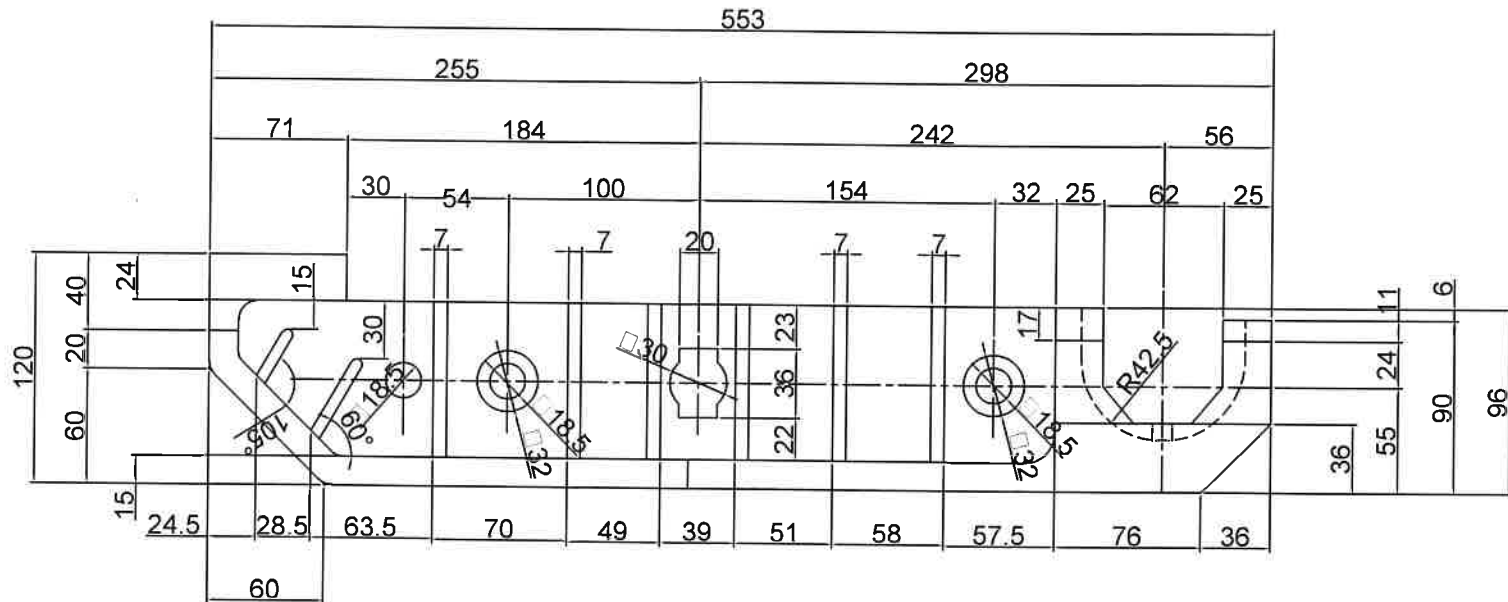
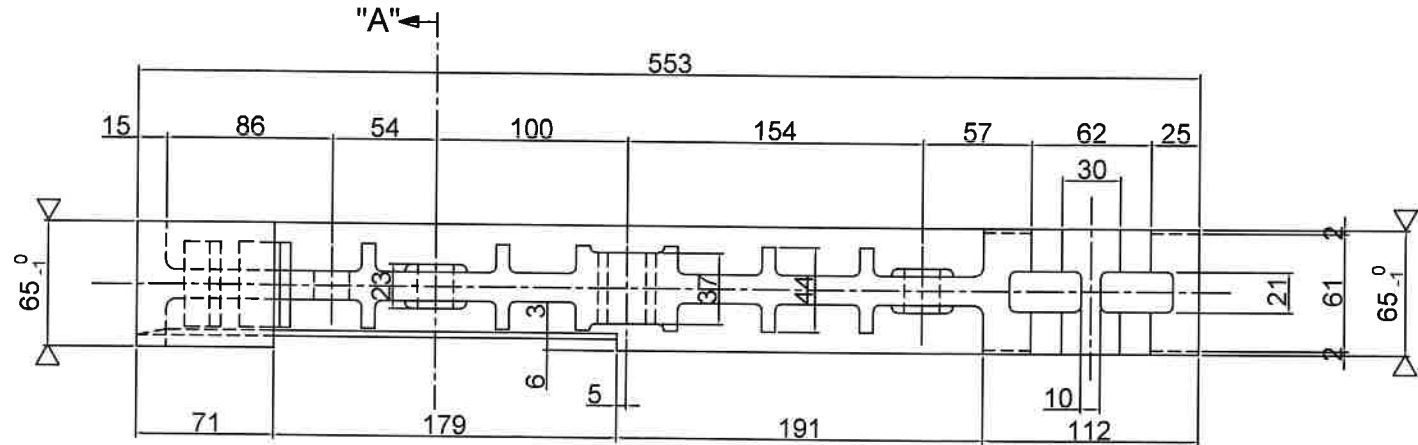




NO.	DESCRIPTION	SIZE	MATERIAL	Q'TY	WEIGHT (kg)		REMARKS
					UNIT	TOTAL	
1	002		28%Cr Cast Iron	16			



SECTION "A"

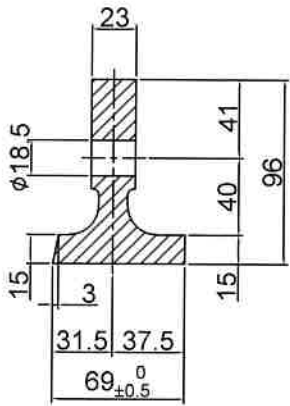


측면에 양각표시

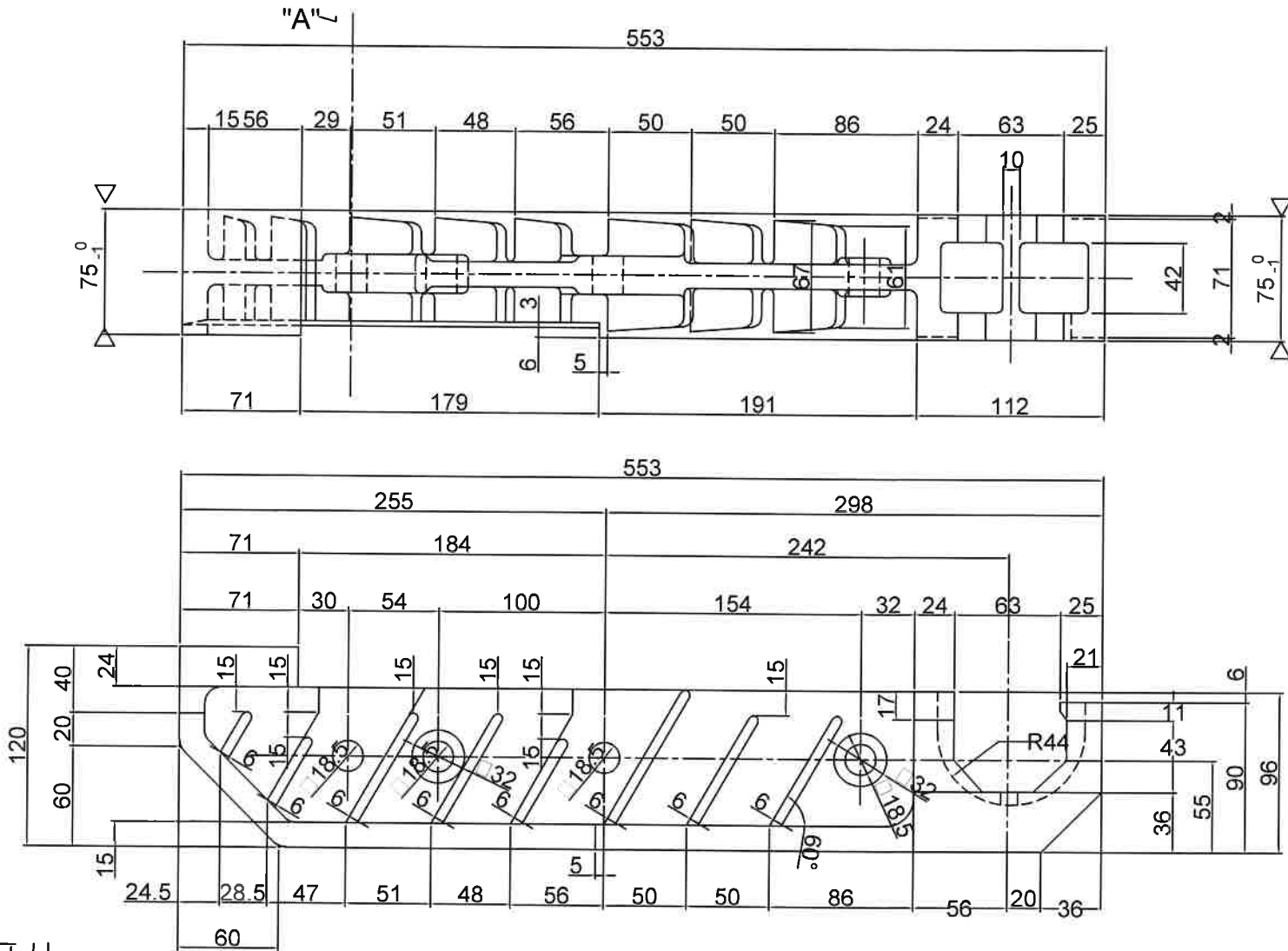
DJ002

DRAWING	DESIGNED	CHECKED	APPROVED	DISK NO.	CUSTOMER
2020.09	2020.09	2020.09	2020.09		군포환경관리소
Jo.K.Y	No.M.S	Chang	Jo.K.Y	PROJ. NO.	PROJECT 소각로 화격자 및 Side Plate 외 제작 구매
				SCALE	TITLE GRATE BAR 65mm
(주)동진특수금속					DWG. NO. DJ-200901-NO-02

NO.	DESCRIPTION	SIZE	MATERIAL	Q'TY	WEIGHT (kg)		REMARKS
					UNIT	TOTAL	
1	003		28%Cr Cast Iron	667			



SECTION "A"

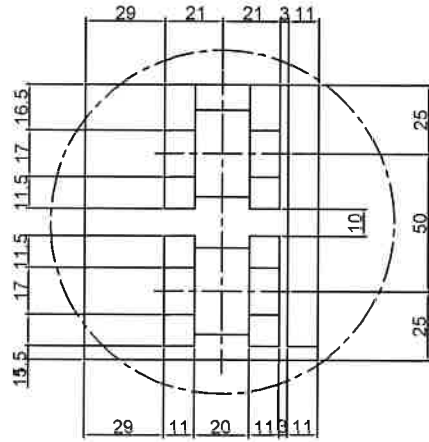


측면에 양각표시

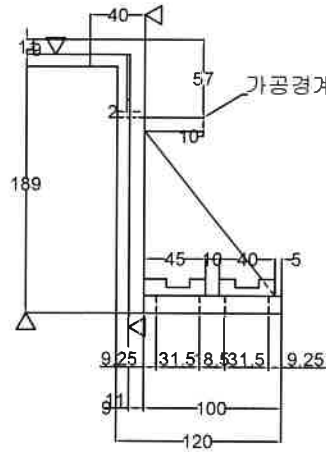
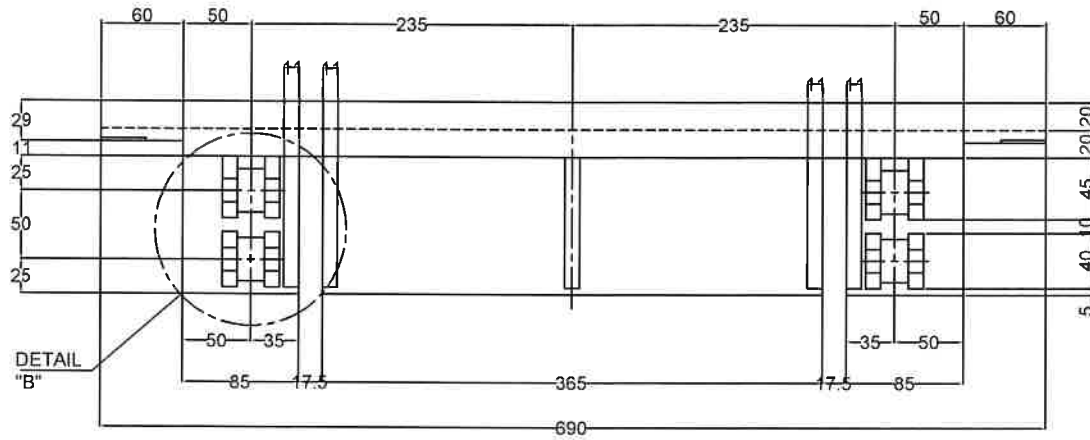
DJ003

DRAWING	DESIGNED	CHECKED	APPROVED	DISK NO.	CUSTOMER	군포환경관리소	
Jo.K.Y	No.M.S	Chang	Jo.K.Y	PROJ. NO.		소각로 화격자 및 Side Plate 외 제작 구매	
2020.09	2020.09	2020.09	2020.09	SCALE		TITLE	
(주)동진특수금속					GRATE BAR 75mm		
					DWG. NO.	DJ-200901-NO-01	

NO.	DESCRIPTION	SIZE	MATERIAL	Q'TY	WEIGHT (kg)		REMARKS
					UNIT	TOTAL	
1	LR5151		28%Cr Cast Iron	10			

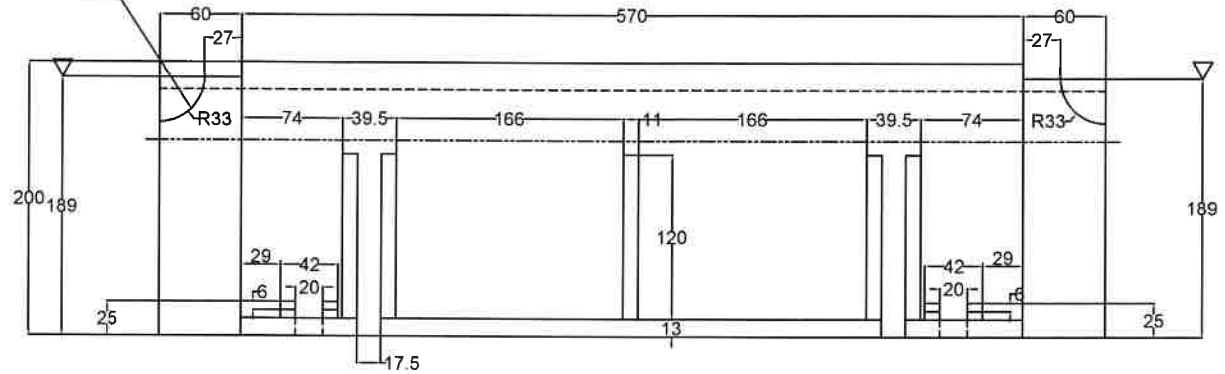


DETAIL  
"B"



VIEW "A"

양쪽 ROUND가공 깊이 2mm

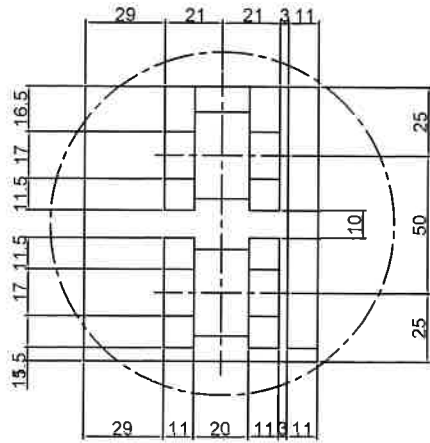


안쪽에 양각표시

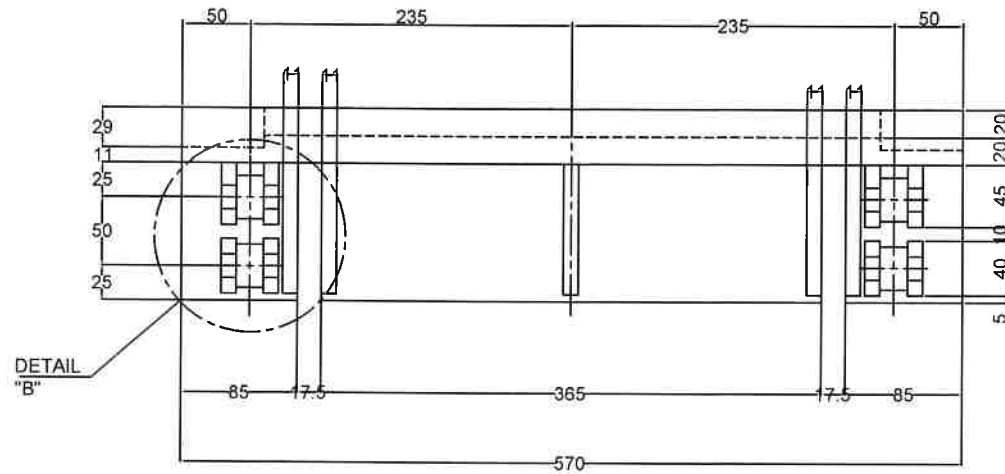
DJ-LR5151

DRAWING	DESIGNED	CHECKED	APPROVED	DISK NO.	CUSTOMER
Jo.K.Y	No.M.S	Chang	Jo.K.Y	PROJ. NO.	군포환경관리소
2020.09	2020.09	2020.09	2020.09	SCALE	PROJECT 소각로 화격자 및 Side Plate 외 제작 구매
					TITLE COVERING PLATE (LR5151)
					DWG. NO. DJ-200901-NO-10

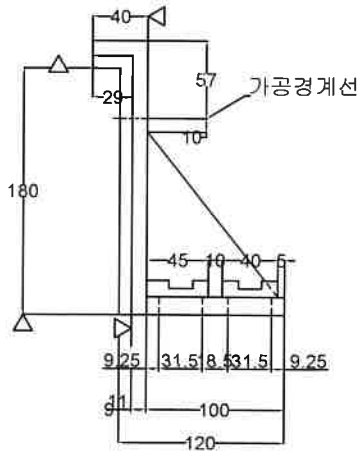
NO.	DESCRIPTION	SIZE	MATERIAL	Q'TY	WEIGHT (kg)		REMARKS
					UNIT	TOTAL	
1	LR5152		28%Cr Cast Iron	10			



DETAIL  
"B"

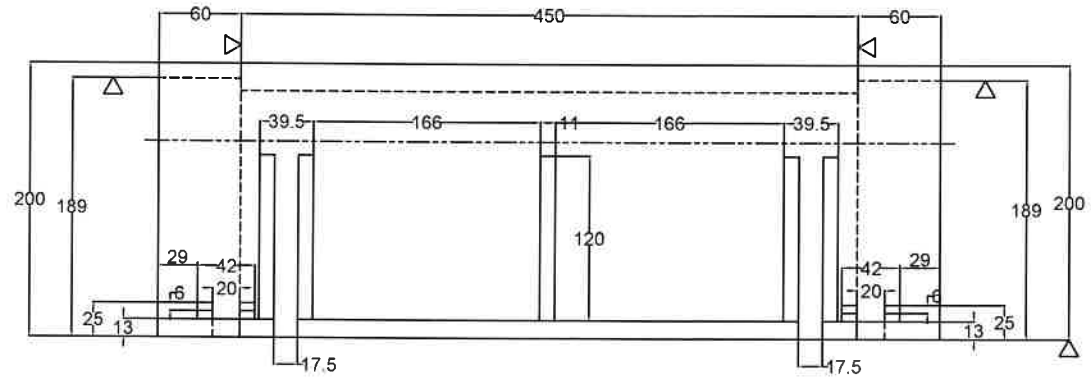


DETAIL  
"B"



VIEW "A"

"A" →



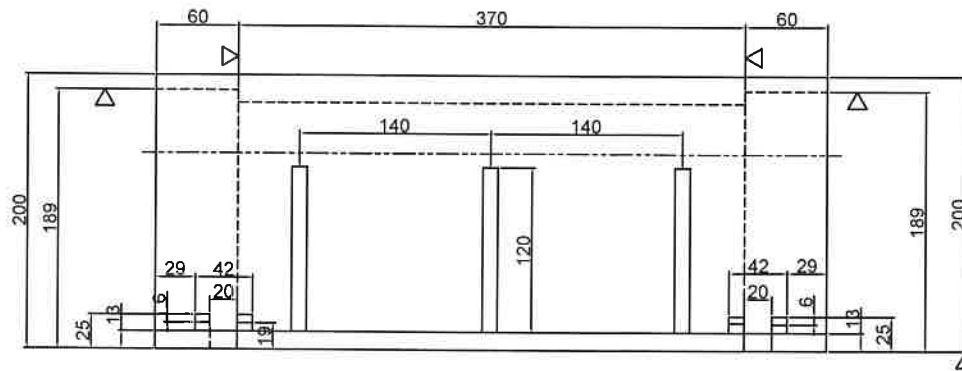
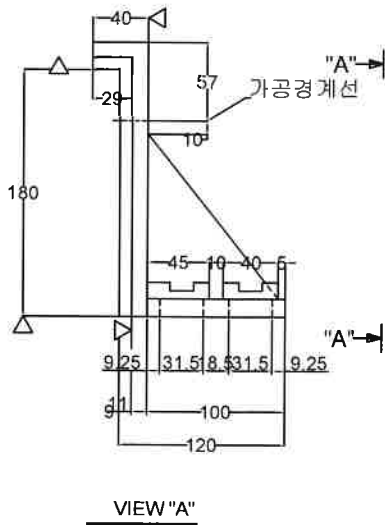
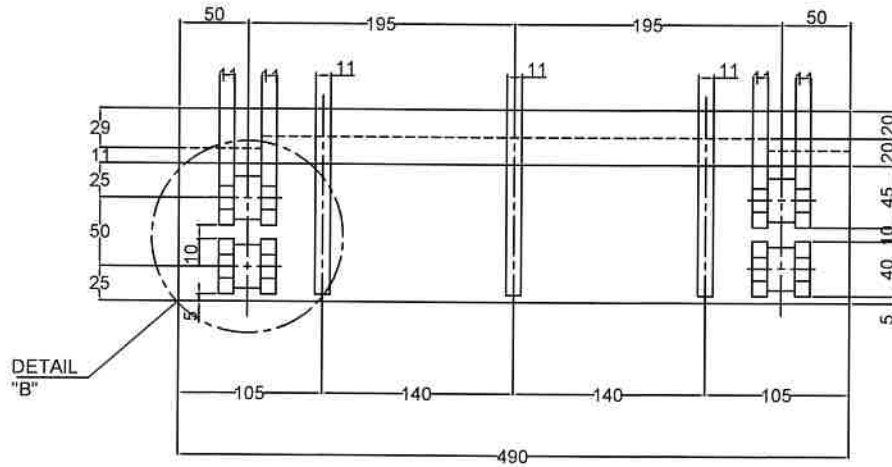
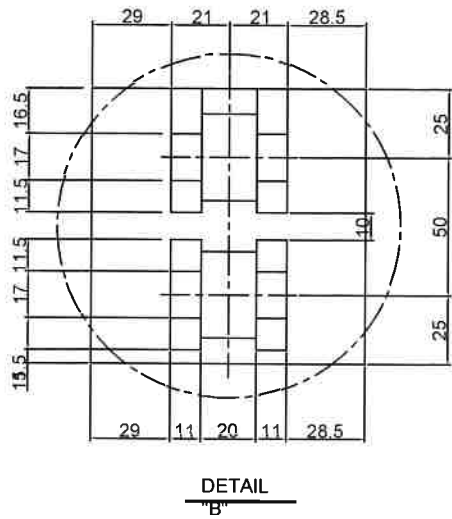
"A" →

안쪽에 양각표시

DJ-LR5152

DRAWING	DESIGNED	CHECKED	APPROVED	DISK NO.	CUSTOMER
Jo.K.Y	No.M.S	Chang	Jo.K.Y	PROJ. NO.	군포환경관리소
2020.09	2020.09	2020.09	2020.09	SCALE	PROJECT 소각로 화력자 및 Side Plate 외 제작 구매
(주)동진특수금속					TITLE
					TITLE
					DWG. NO.
					DJ-200901-NO-11

NO.	DESCRIPTION	SIZE	MATERIAL	Q'TY	WEIGHT (kg)		REMARKS
					UNIT	TOTAL	
1	LR5153		28%Cr Cast Iron	3			

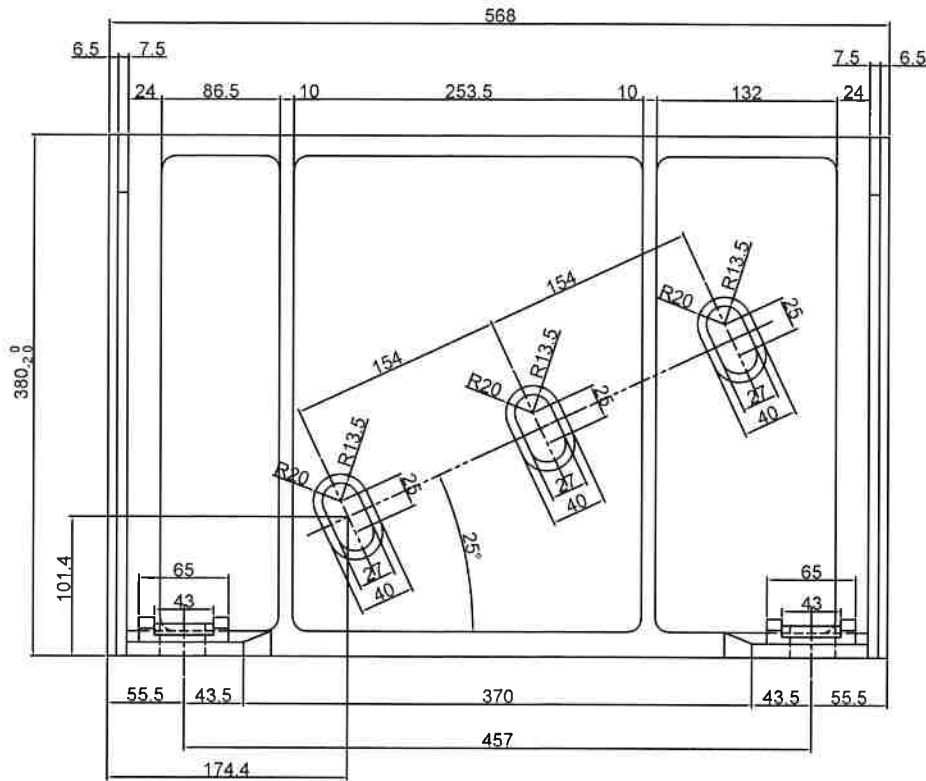
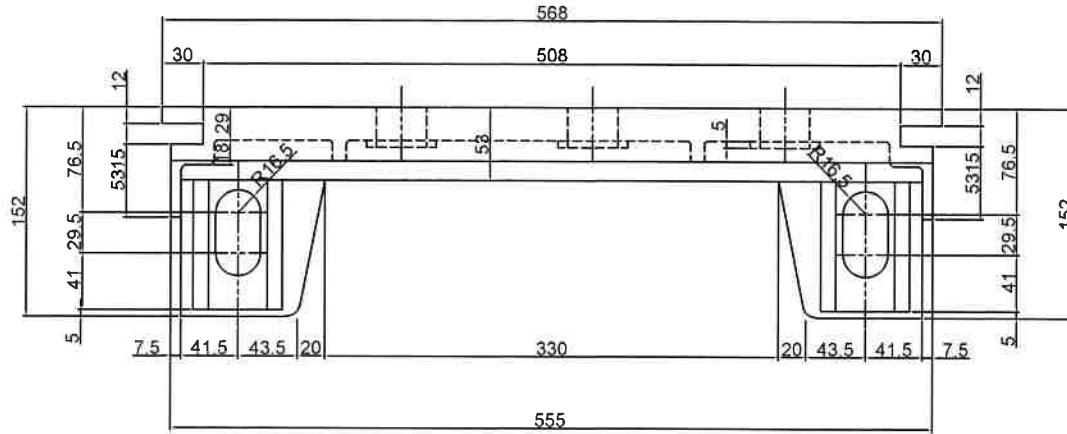


안쪽에 양각표시

**DJ-LR5153**

DRAWING	DESIGNED	CHECKED	APPROVED	DISK NO.	CUSTOMER
Jo.K.Y	No.M.S	Chang	Jo.K.Y	PROJ. NO.	군포환경관리소
2020.09	2020.09	2020.09	2020.09	SCALE	PROJECT 소각로 화격자 및 Side Plate 외 제작 구매
<b>(주)동진특수금속</b>					TITLE
					TITLE
					DWG. NO. DJ-200901-NO-12

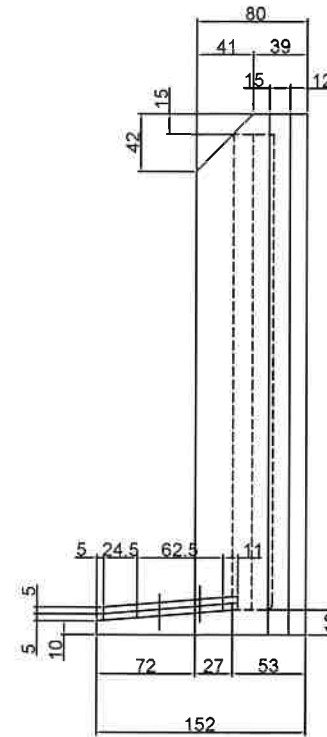
NO.	DESCRIPTION	SIZE	MATERIAL	Q'TY	WEIGHT (kg)		REMARKS
					UNIT	TOTAL	
1	LR5142		28%Cr Cast Iron	10			



VIEW "A"

↑ "A"

↑ "A"

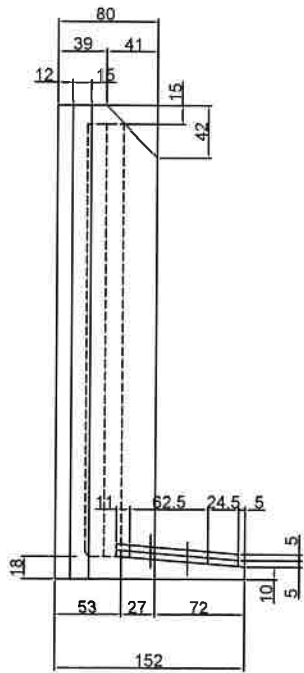
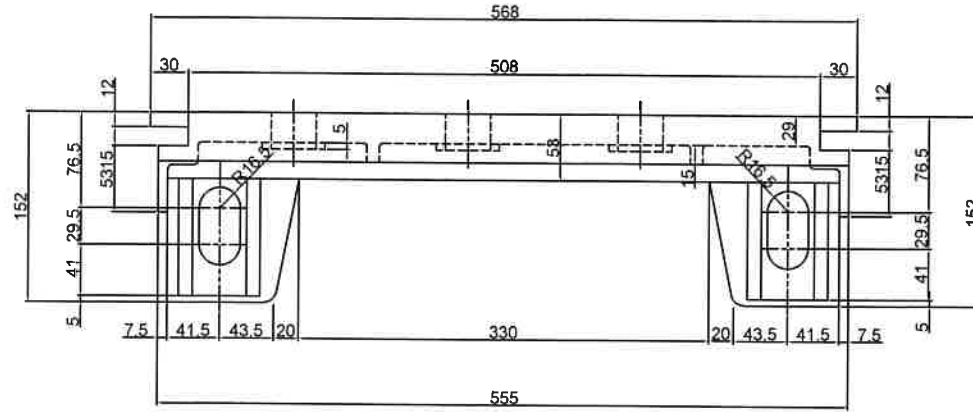


안쪽에 양각표시

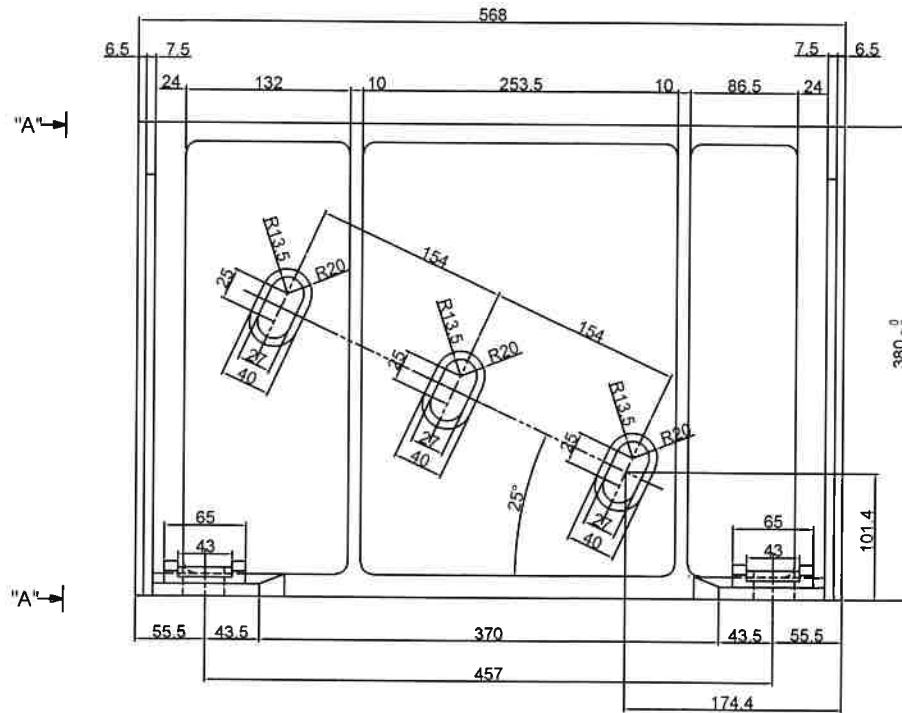
DJ-LR5142

DRAWING	DESIGNED	CHECKED	APPROVED	DISK NO.	CUSTOMER	
Jo.K.Y	No.M.S	Chang	Jo.K.Y	PROJ. NO.	군포환경관리소	
2020.09	2020.09	2020.09	2020.09	SCALE	PROJECT 소각로 화격자 및 Side Plate 외 제작 구매	
(주)동진 특수금속					TITLE	SIDE PLATE 좌(LR5142)
					DWG. NO.	DJ-200901-NO-04

NO.	DESCRIPTION	SIZE	MATERIAL	Q'TY	WEIGHT (kg)		REMARKS
					UNIT	TOTAL	
1	LR5143		28%Cr Cast Iron	11			



VIEW "A"



안쪽에 양각표시

DJ-LR5143

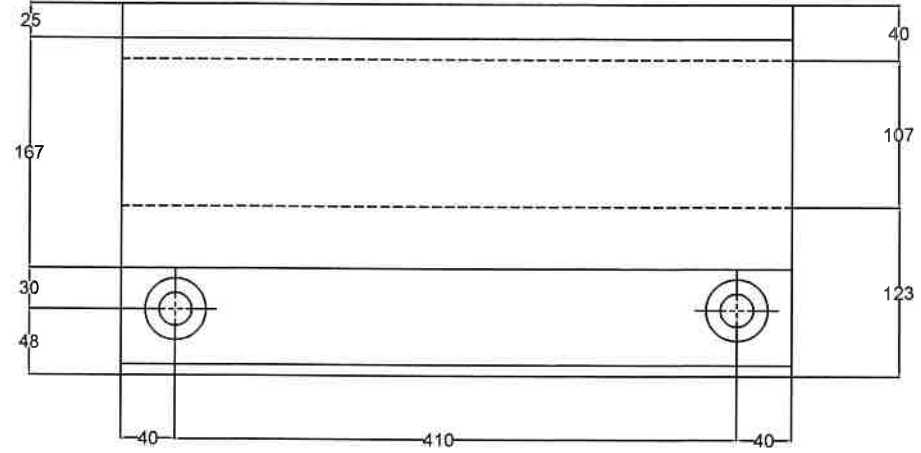
DRAWING	DESIGNED	CHECKED	APPROVED	DISK NO.		CUSTOMER	군포환경관리소
Jo.K.Y	No.M.S	Chang	Jo.K.Y	PROJ. NO.		PROJECT	소각로 화격자 및 Side Plate 외 제작 구매
2020.09	2020.09	2020.09	2020.09	SCALE		TITLE	SIDE PLATE 우(LR5143)
(주)동진특수금속						DWG. NO.	DJ-200901-NO-05



NO.	DESCRIPTION	SIZE	MATERIAL	Q'TY	WEIGHT (kg)		REMARKS
					UNIT	TOTAL	
1	LR5155		28%Cr Cast Iron	5			

안쪽에 양각표시

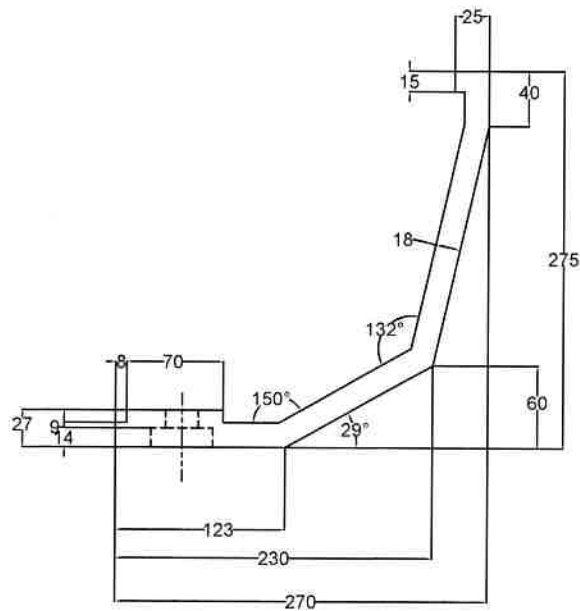
DJ-LR5155



VIEW "A"

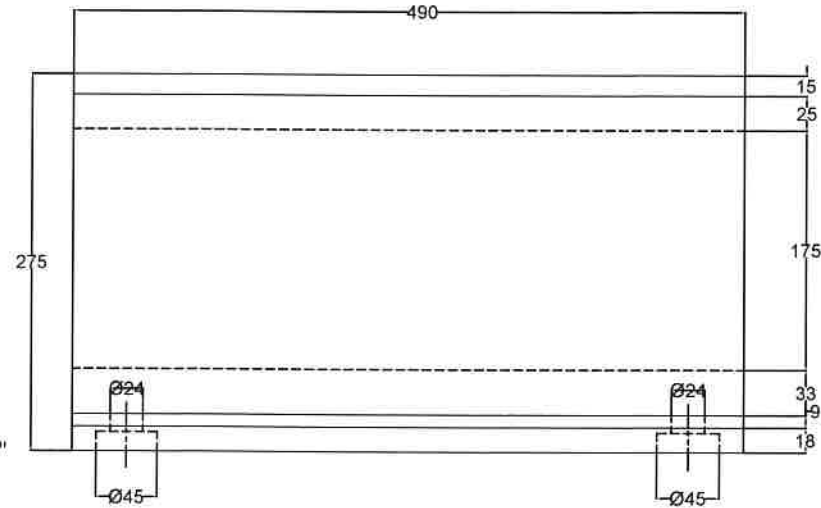
"A"  
↓

"A"  
↓



"B"  
←

"B"  
←



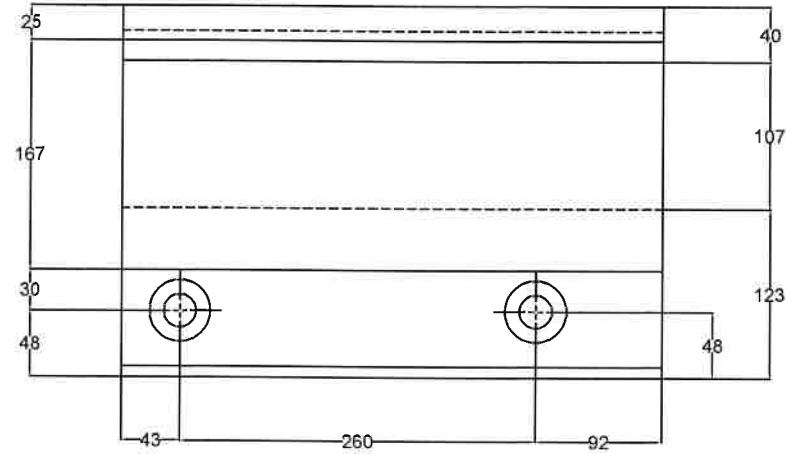
VIEW "B"

DRAWING	DESIGNED	CHECKED	APPROVED	DISK NO.	CUSTOMER	
Jo.K.Y	No.M.S	Jo.K.Y	Jo.K.Y	PROJ. NO.	군포환경관리소	
2020.09	2020.09	2020.09	2020.09	SCALE	PROJECT 소각로 화격자 및 Side Plate 외 제작 구매	
(주)동진특수금속					TITLE	FEEDER PLATE 종 (LR5155)
					DWG. NO.	DJ-200901-NO-07

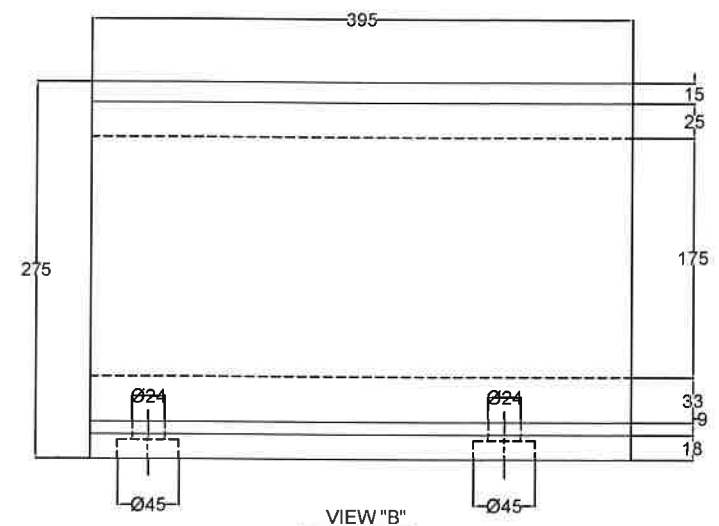
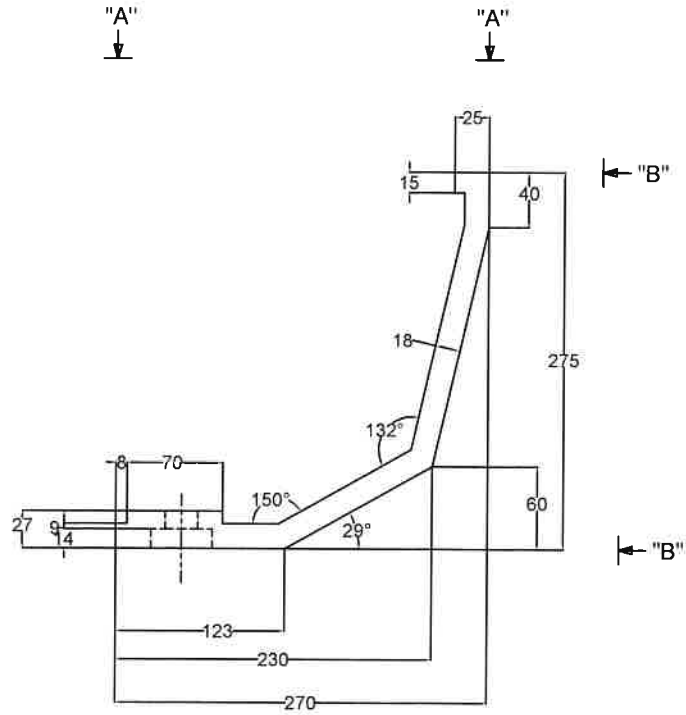
NO.	DESCRIPTION	SIZE	MATERIAL	Q'TY	WEIGHT (kg)		REMARKS
					UNIT	TOTAL	
1	LR5155-1		28%Cr Cast Iron	1			

안쪽에 양각표시

DJ-LR5155-1



VIEW "A"



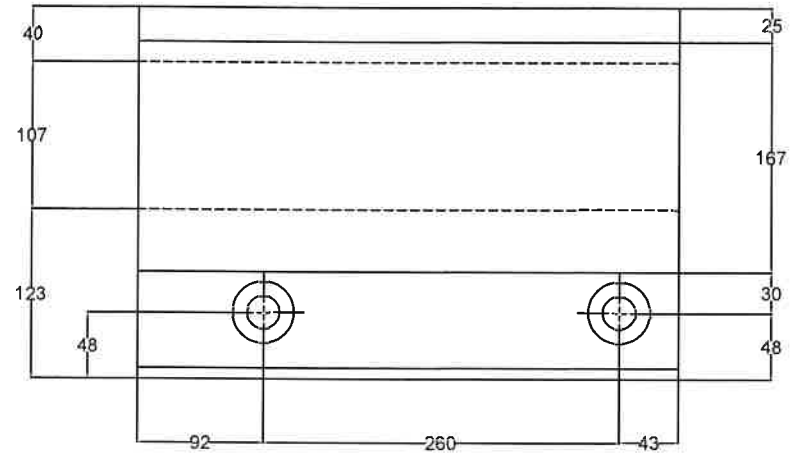
VIEW "B"

DRAWING	DESIGNED	CHECKED	APPROVED	DISK NO.	CUSTOMER
Jo.K.Y	No.M.S	Chang	Jo.K.Y	PROJ. NO.	군포환경관리소
2020.09	2020.09	2020.09	2020.09	SCALE	PROJECT 소각로 화격자 및 Side Plate 외 제작 구매
<b>(주)동진특수금속</b>					TITLE
					FEEDER PLATE 좌 (LR5155-1)
					DWG. NO. DJ-200901-NO-06

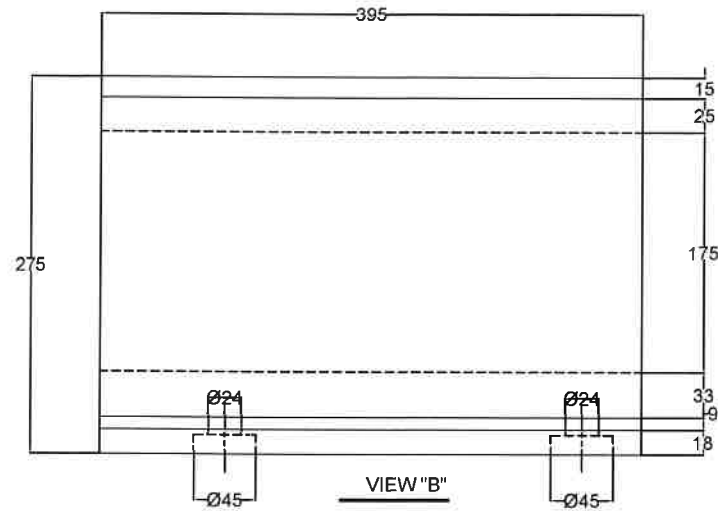
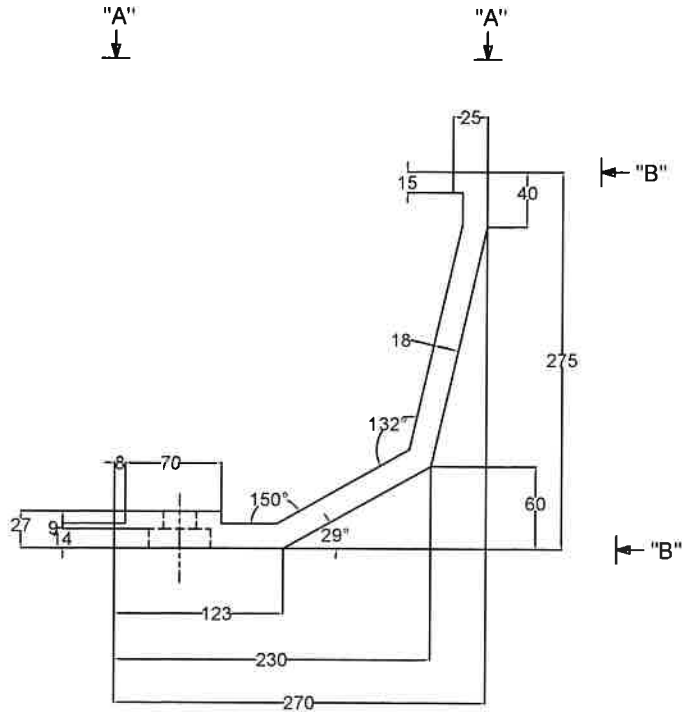
NO.	DESCRIPTION	SIZE	MATERIAL	Q'TY	WEIGHT (kg)		REMARKS
					UNIT	TOTAL	
1	LR5155-2		28%Cr Cast Iron	1			

안쪽에 양각표시

DJ-LR5155-2



VIEW "A"



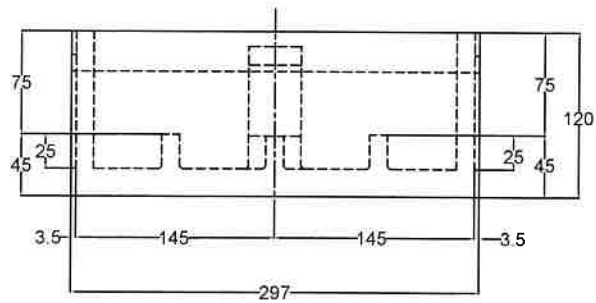
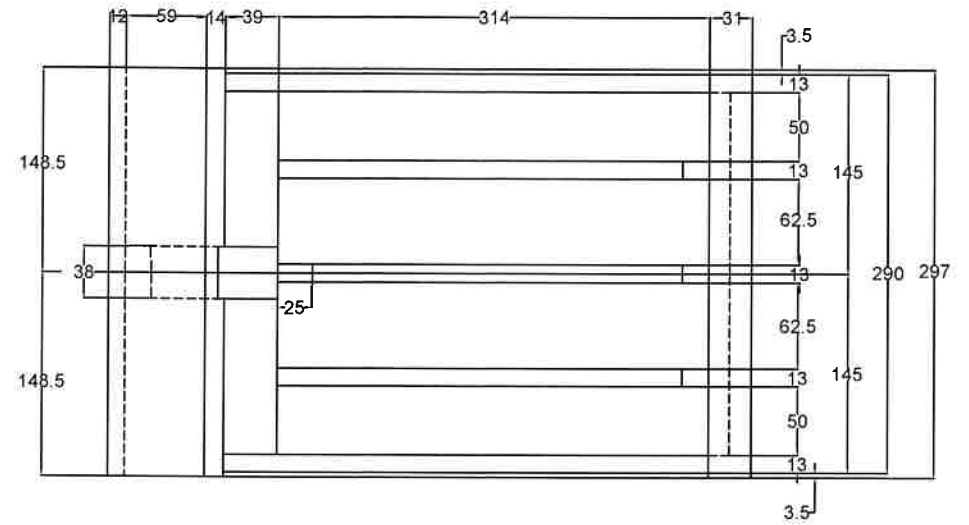
VIEW "B"

DRAWING	DESIGNED	CHECKED	APPROVED	DISK NO.	CUSTOMER	
Jo.K.Y	No.M.S	Chang	Jo.K.Y	PROJ. NO.	군포환경관리소	
2020.09	2020.09	2020.09	2020.09	SCALE	PROJECT 소각로 화격자 및 Side Plate 외 제작 구매	
(주)동진특수금속					TITLE	FEEDER PLATE 우(LR5155-2)
					DWG. NO.	DJ-200901-NO-08

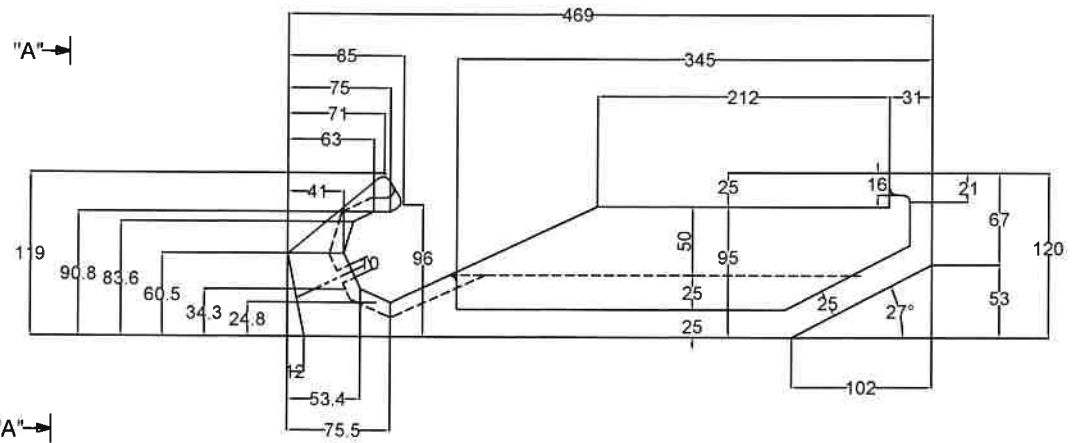
NO.	DESCRIPTION	SIZE	MATERIAL	Q'TY	WEIGHT (kg)		REMARKS
					UNIT	TOTAL	
1	LR5154		28%Cr Cast Iron	22			

안쪽에 양각표시

DJ-LR5154



VIEW "A"



DRAWING	DESIGNED	CHECKED	APPROVED	DISK NO.		CUSTOMER
Jo.K.Y	No.M.S	Chang	Jo.K.Y	PROJ. NO.		군포환경관리소
2020.09	2020.09	2020.09	2020.09	SCALE		PROJECT 소각로 화격자 및 Side Plate 외 제작 구매
(주)동진특수금속						TITLE
						FEEDER PLATE 아 (LR5154)
						DWG. NO. DJ-200901-NO-09