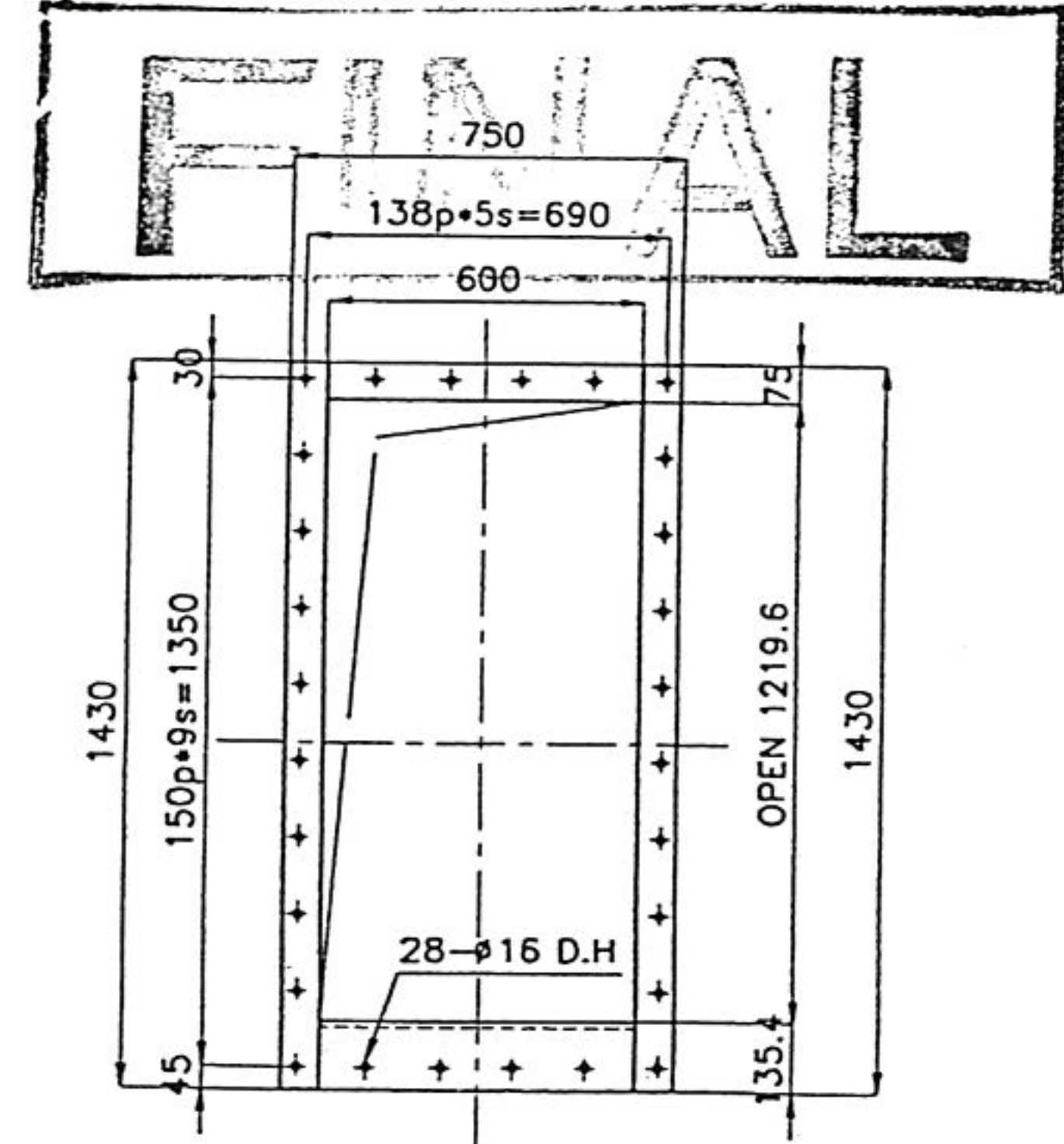


MARK	DESCRIPTION	MAT'L	Q'TY	WT	REMARKS
1	HEAD CASING	SS400	1		6t
2	HEAD BEARING	PUR	2		UCF212
3	REDUCER	PUR	1		2.2Kw4px1/187
4	DRMNG CHAIN	PUR	1		RS100f
5	HEAD SHAFT	S45C	1		φ75
6	DRVEN SPROCKET	S45C	1		RS100f×41NT
7	DRVE SPROCKET	S45C	1		RS100f×20NT
8	CONV.SPROCKET	S45C	4		P142x6NT
9	CONVEYOR CHAIN	SCM4	-		EF30142
10	CURVE CASING(A)	SS400	1		6t
11	MIDDLE CASING	SS400	2		6t
12	CURVE CASING(B)	SS400	1		6t
13	TAIL CASING	SS400	1		6t
14	TAIL SHAFT	S45C	1		φ70x745.8L
15	TAIL BEARING	PUR	2		UCT212
16	ACCESS DOOR	SS400	2		250x450
17	INSPECTION DOOR	SS400	2		
18	TEMPERATURE S/W	PUR	1		
19	FLOAT VALVE	PUR	1		1/2"
20	OUTLET CHUTE	SS400	1		6t
21	SENSOR	PUR	1		PR30-100P

NOZZLE 일람표

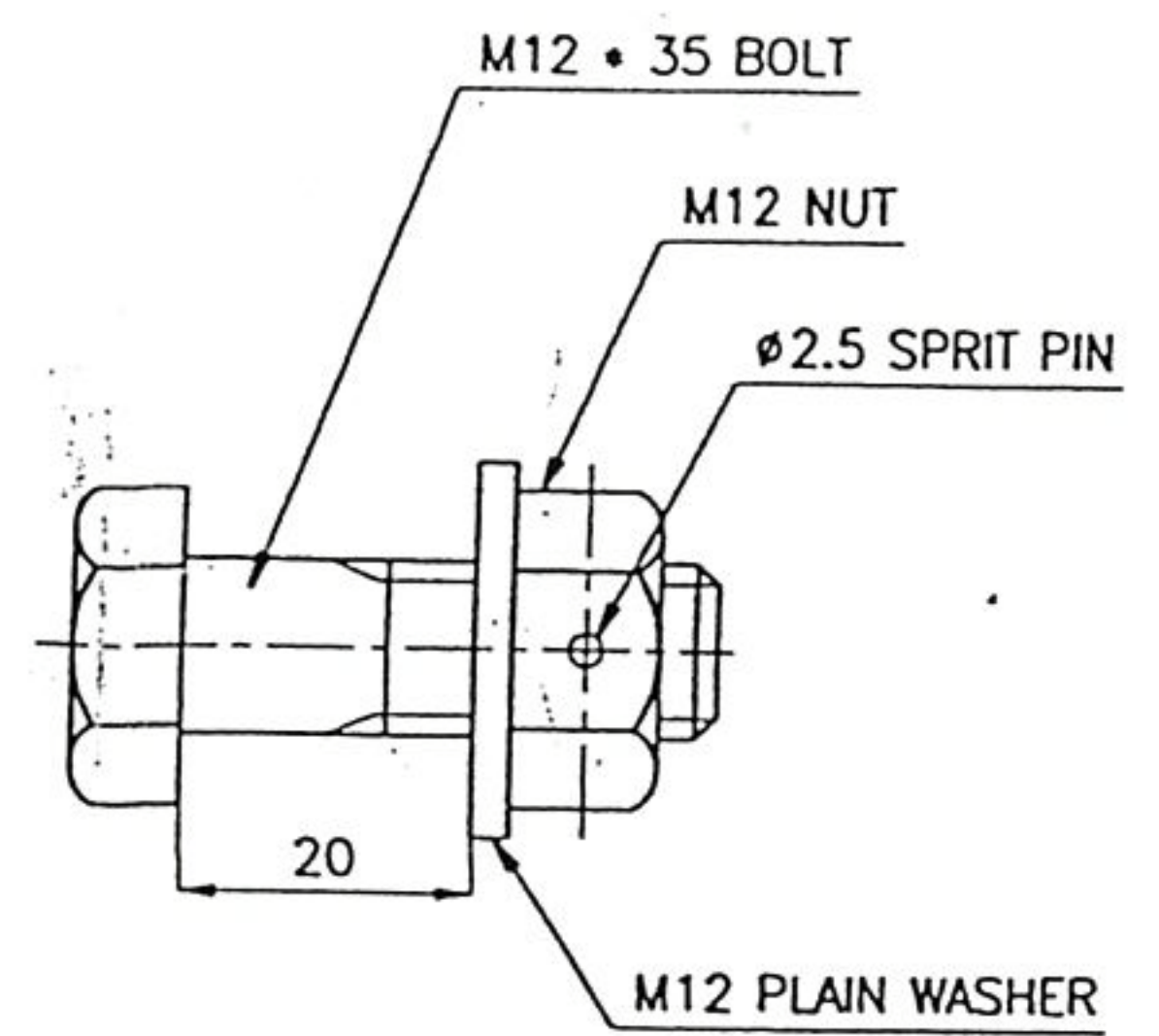
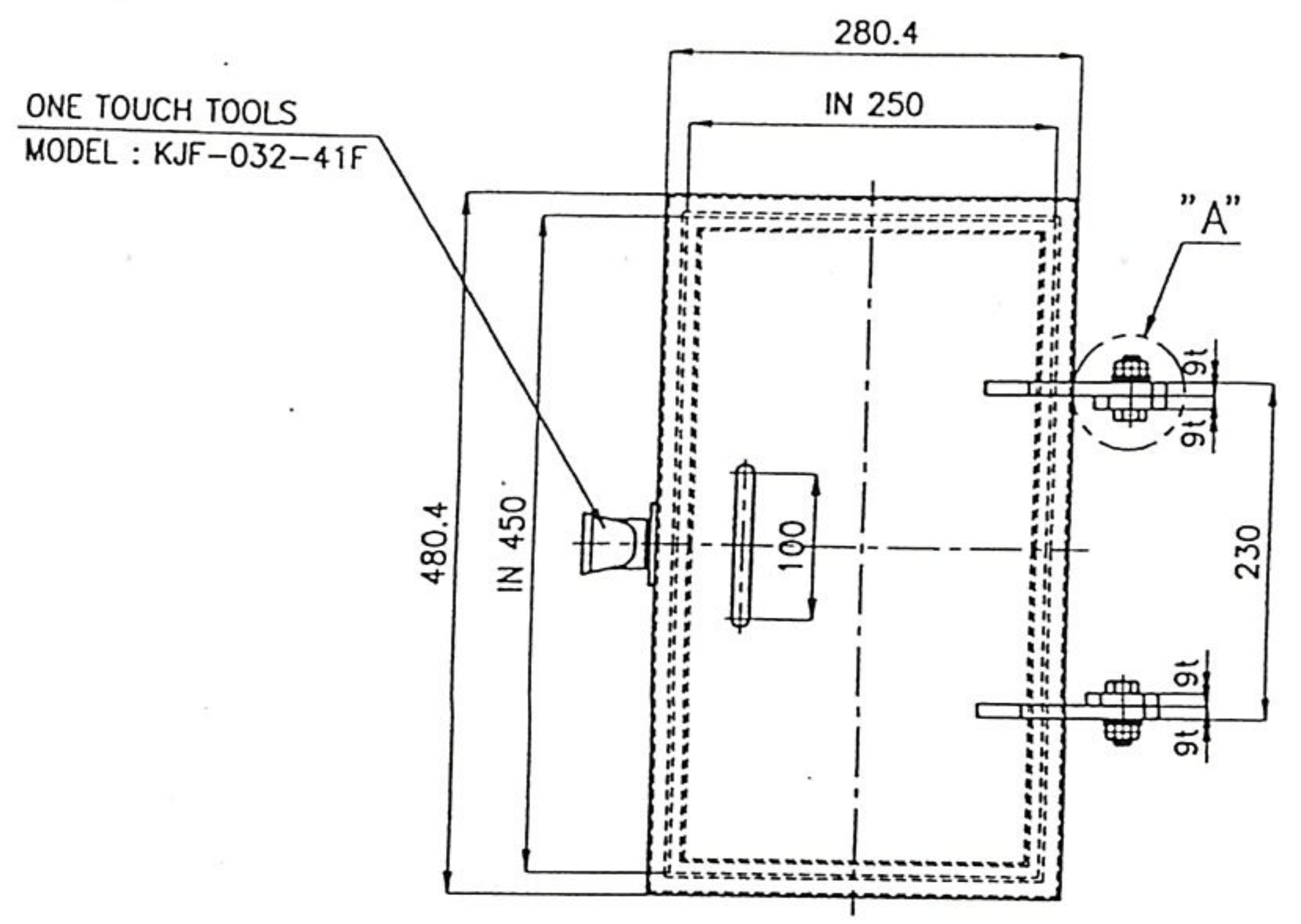
18	DESCRIPTION	SIZE	TYPE
N1	TEMPERATURE S/W	40A	10K-SOFF
N2	기습수 유입구 (A)	25A	10K-SOFF
N3	쓰레기 슈트 배수 유입구	65A	10K-SOFF
N4	VENTING NOZZLE	25A	10K-SOFF
N5	OVER FLOW	50A	10K-SOFF
N6	DRAIN NOZZLE	50A	10K-SOFF
N7	기습수 유입구 (B)	15A	SOCKET



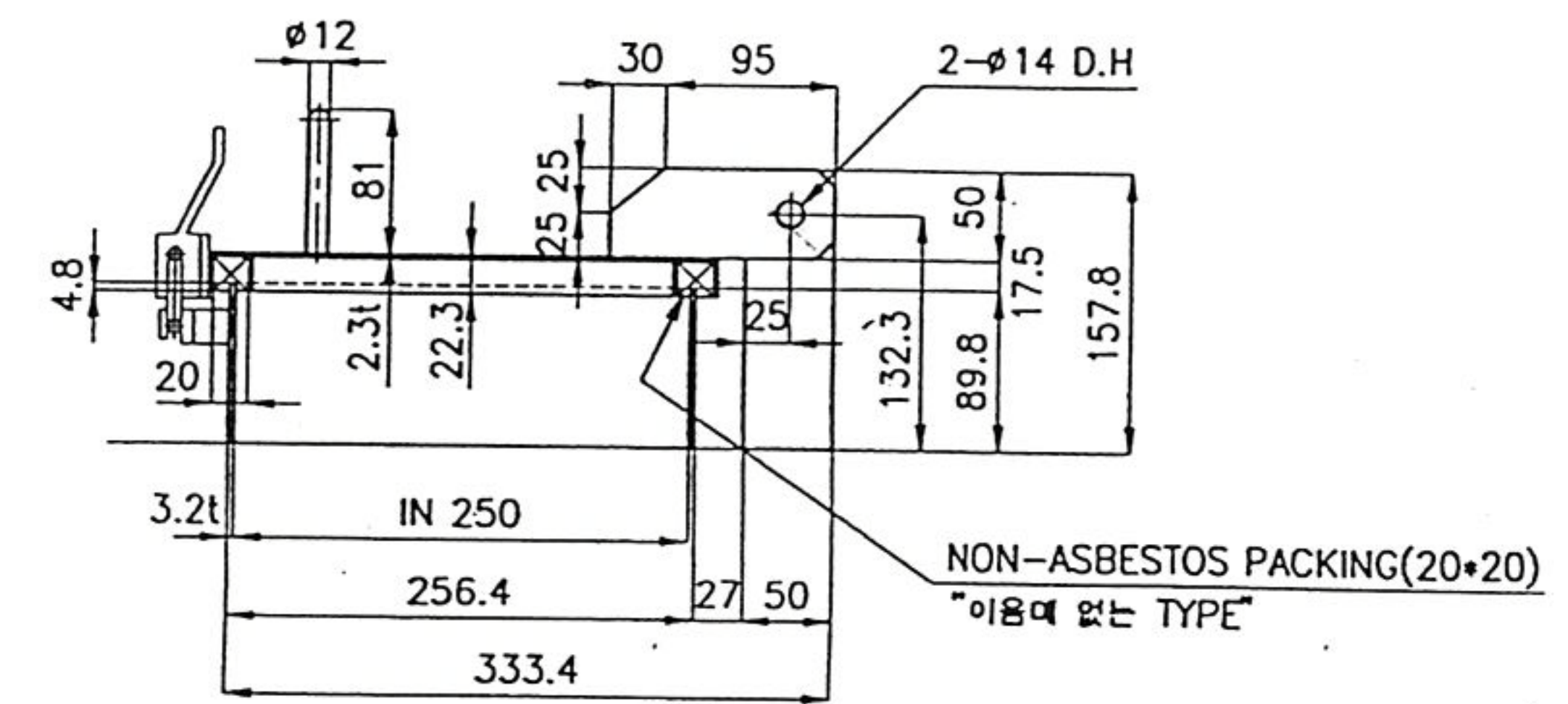
DETAIL OF OUTLET FLANGE

C	99.02.27	3'th ISSUED			
B	99.01.19	SECOND ISSUED			
A	98.11.16	FIRST ISSUED			
REV. NO.	DATE	DESCRIPTION	DNW	CHK'D	A.E.
PROJECT: 근포쓰레기소각시설건설공사					
TAEKWANG PLANT CO., LTD. KYUNGCHI-DO, KOREA T. 0345-482-9680 F. 0345-482-3731					
TITLE: RIDDLING CONVEYOR ASSEMBLY					
DWG. NO.	TKP-9810-BOTTOM-03	ITEM NO.	DWG. START DATE	REV. NO.	
			98.11.16		
SCALE	UNIT	FILE NAME			
1/30	MM	D-D\KUNPO\DWG\RIDL\ASSY			

MARK	DESCRIPTION	MATL	QTY	WT	REMARKS
------	-------------	------	-----	----	---------

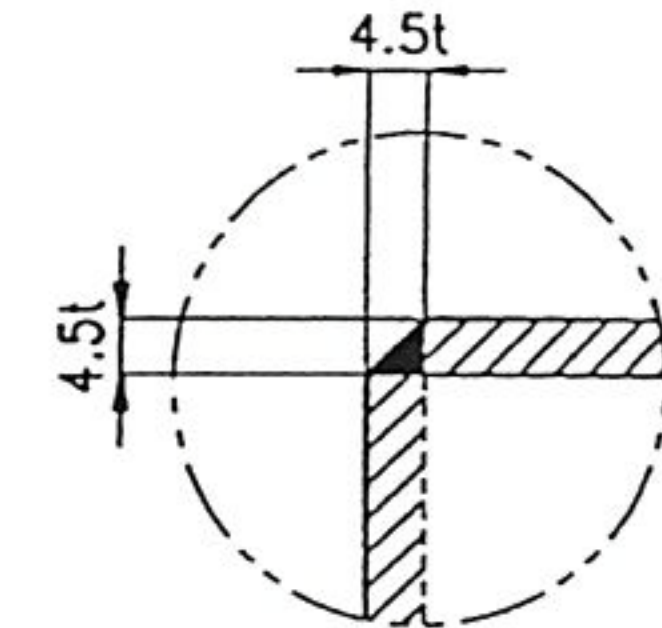
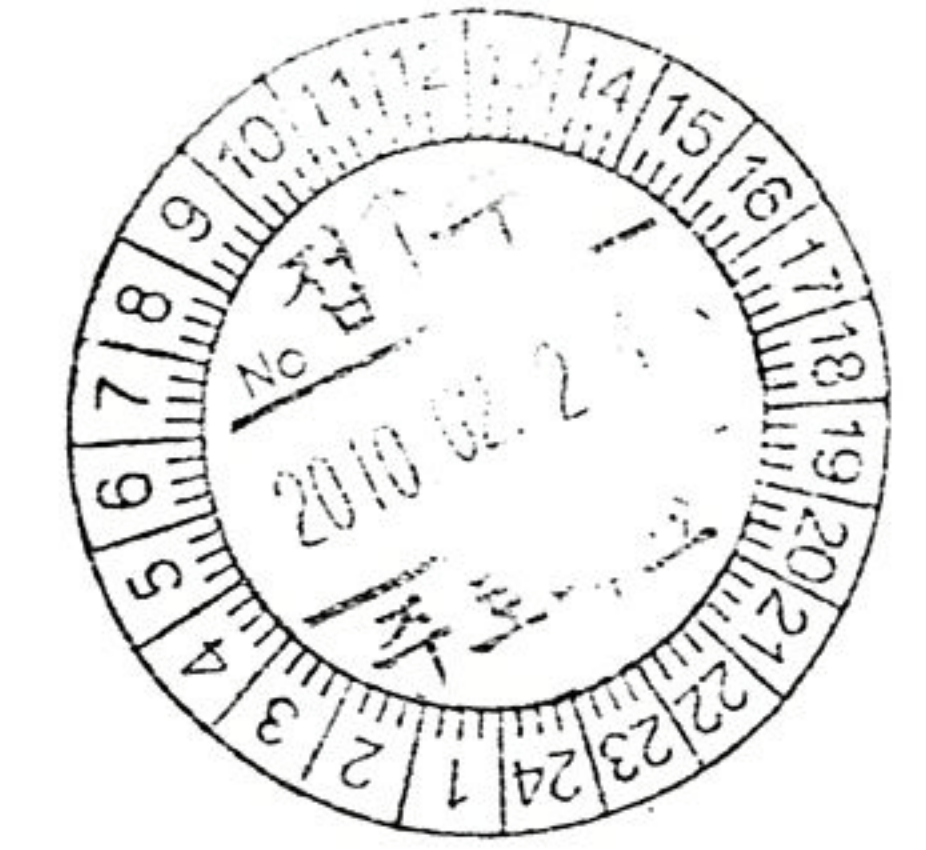


DETAIL OF "A"



총 제작 수량 : 3EA

TOTAL WEIGHT : 11.2 Kg\*3EA=33.6Kg



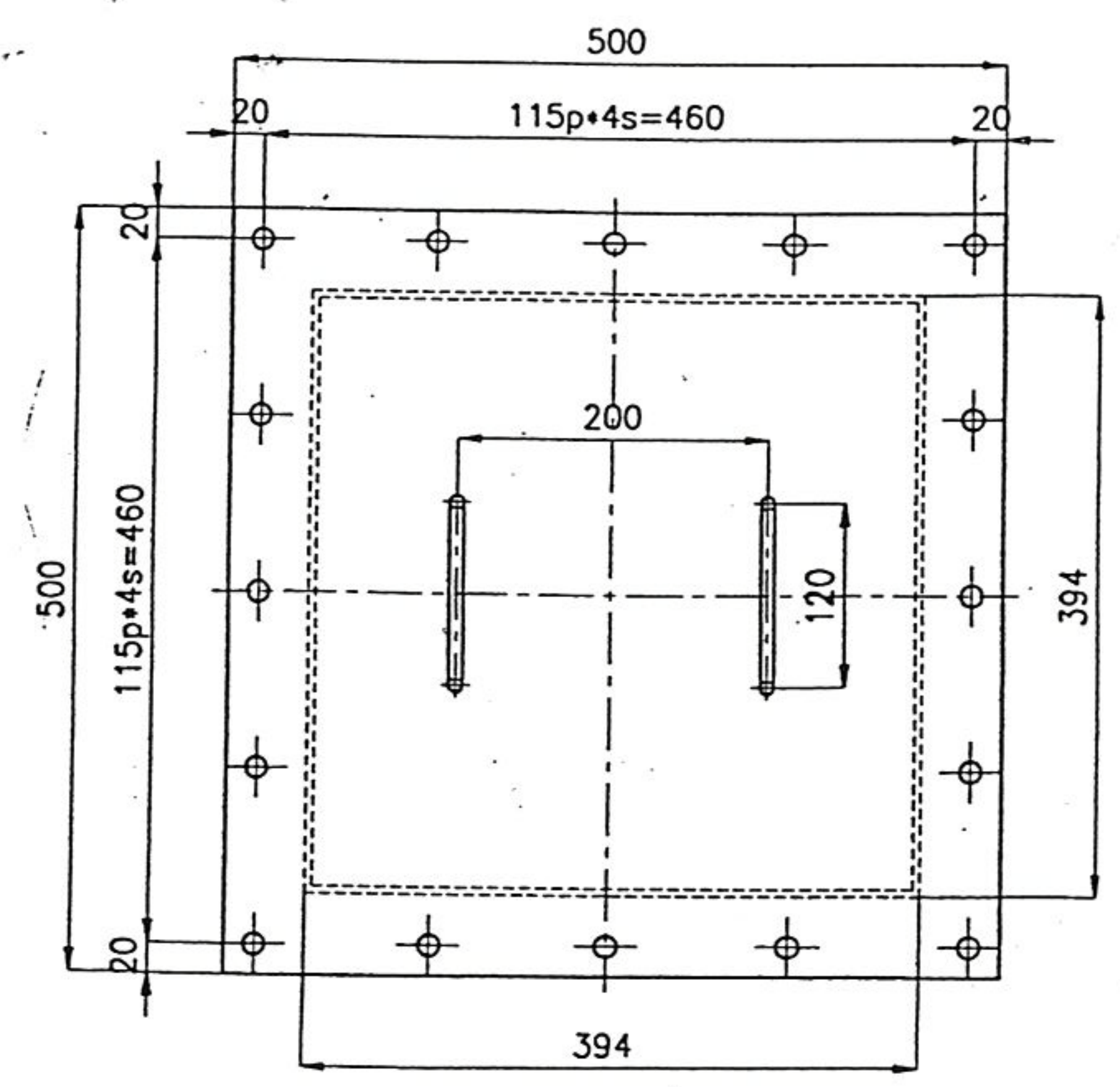
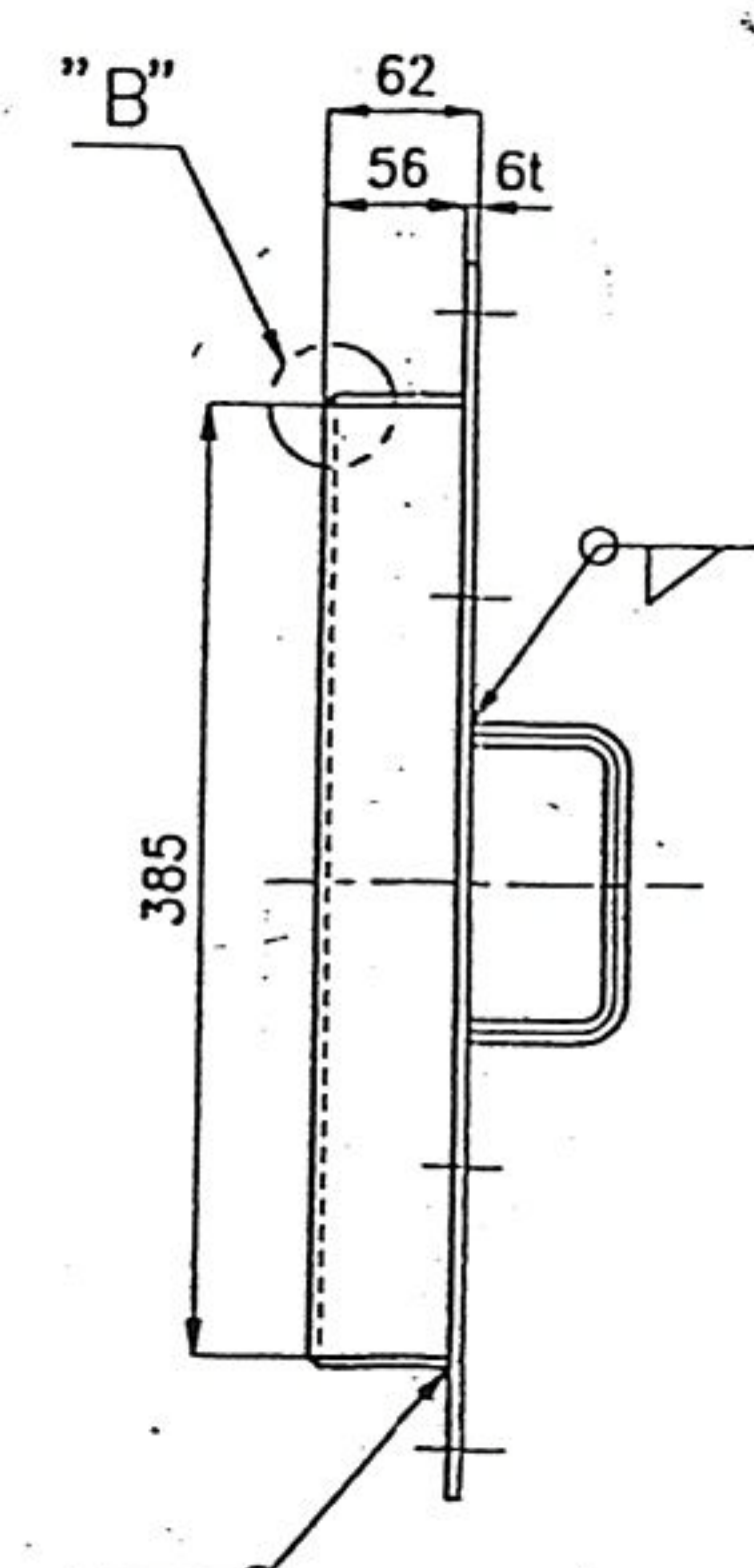
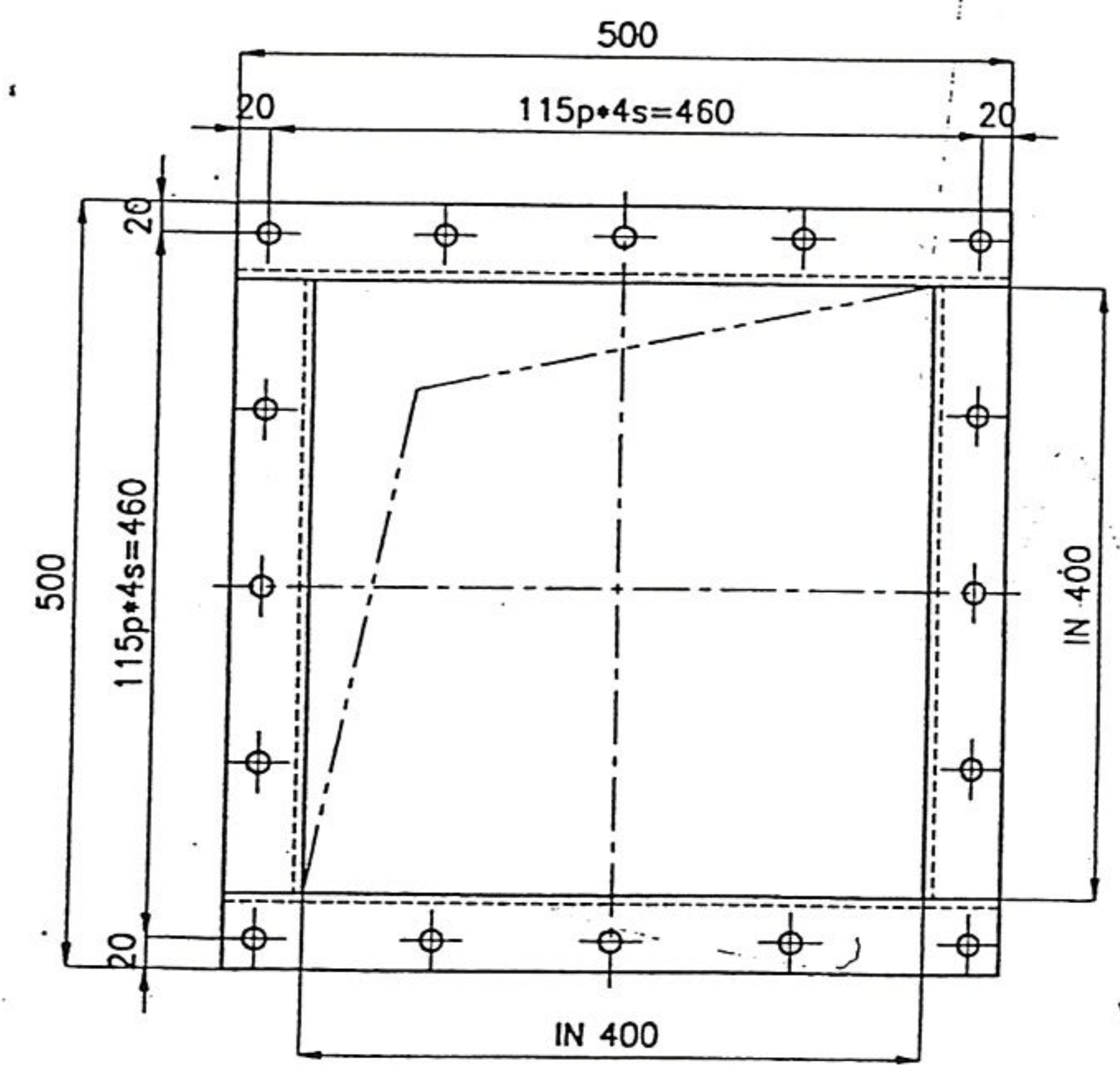
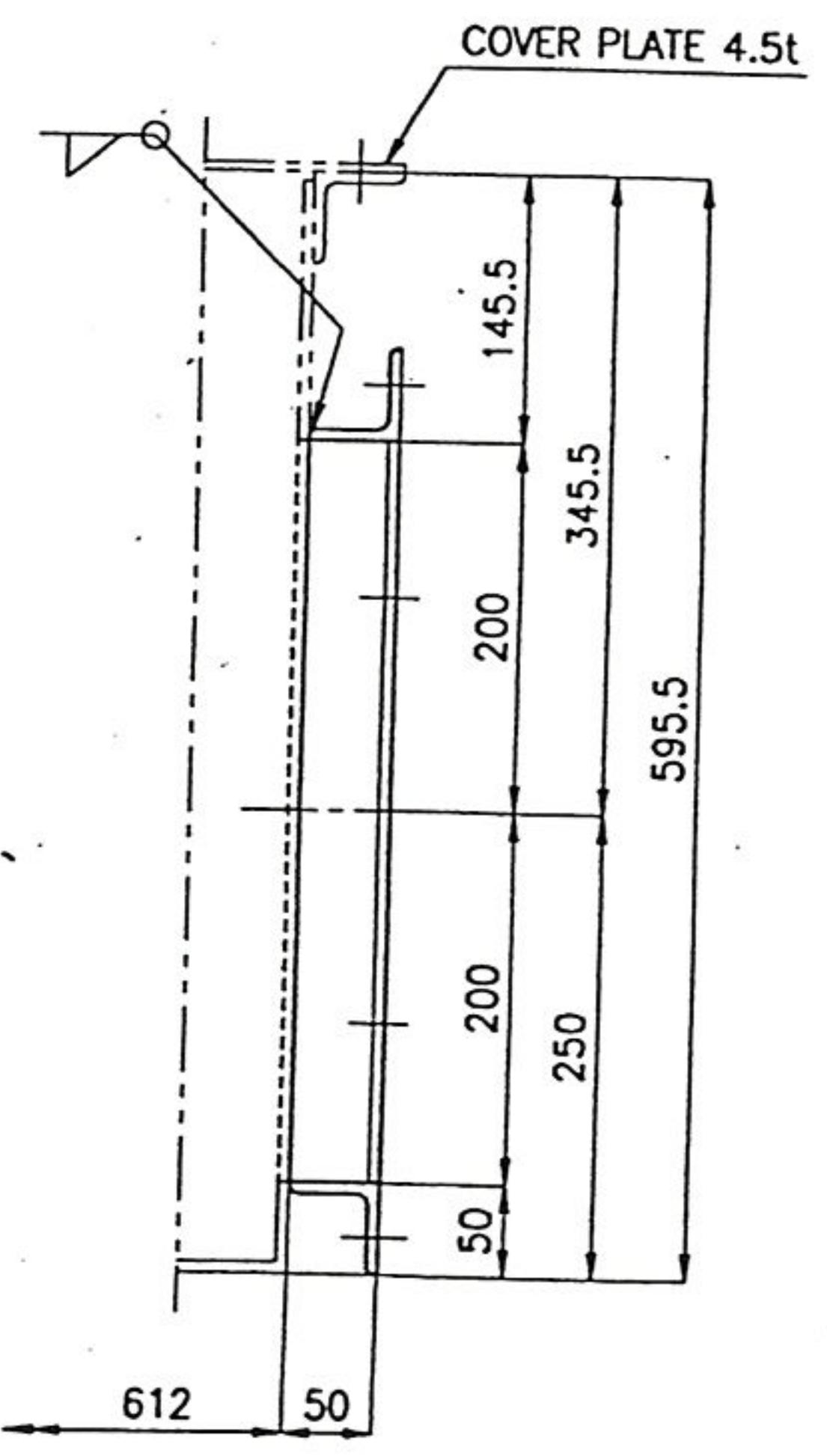
DETAIL OF "B"

총 제작 수량 : 2EA

TOTAL WEIGHT : 11.2 Kg\*2EA=22.4Kg

**FINAL**

NOTE  
1. 지시하지 않은 모든 HOLE는 ø14로 한다.

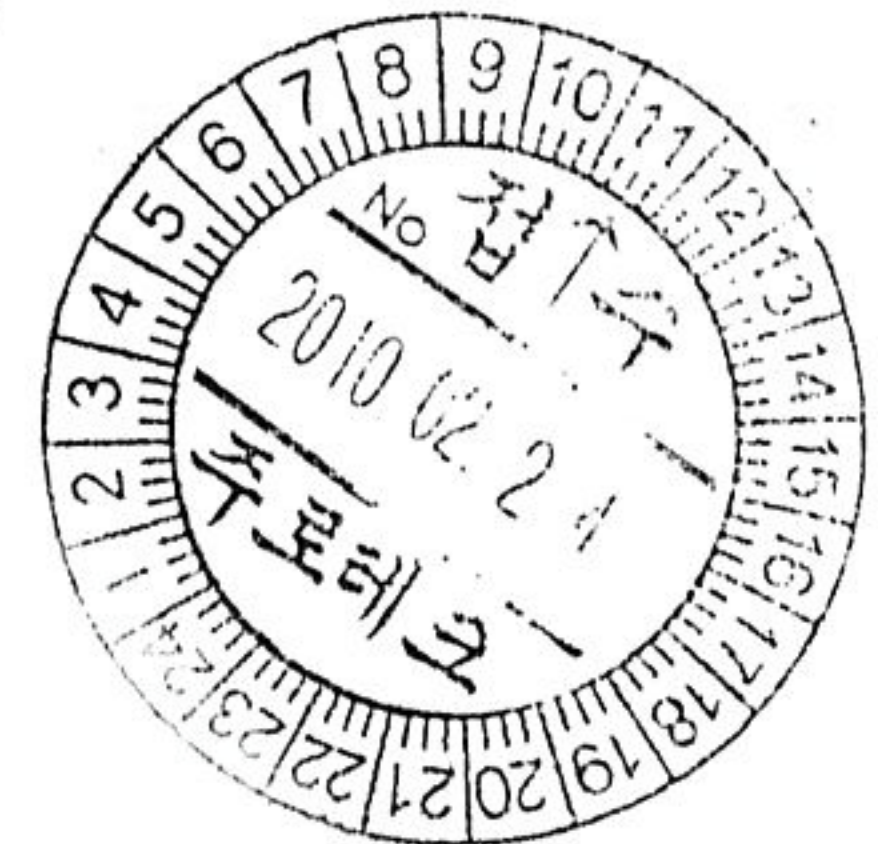
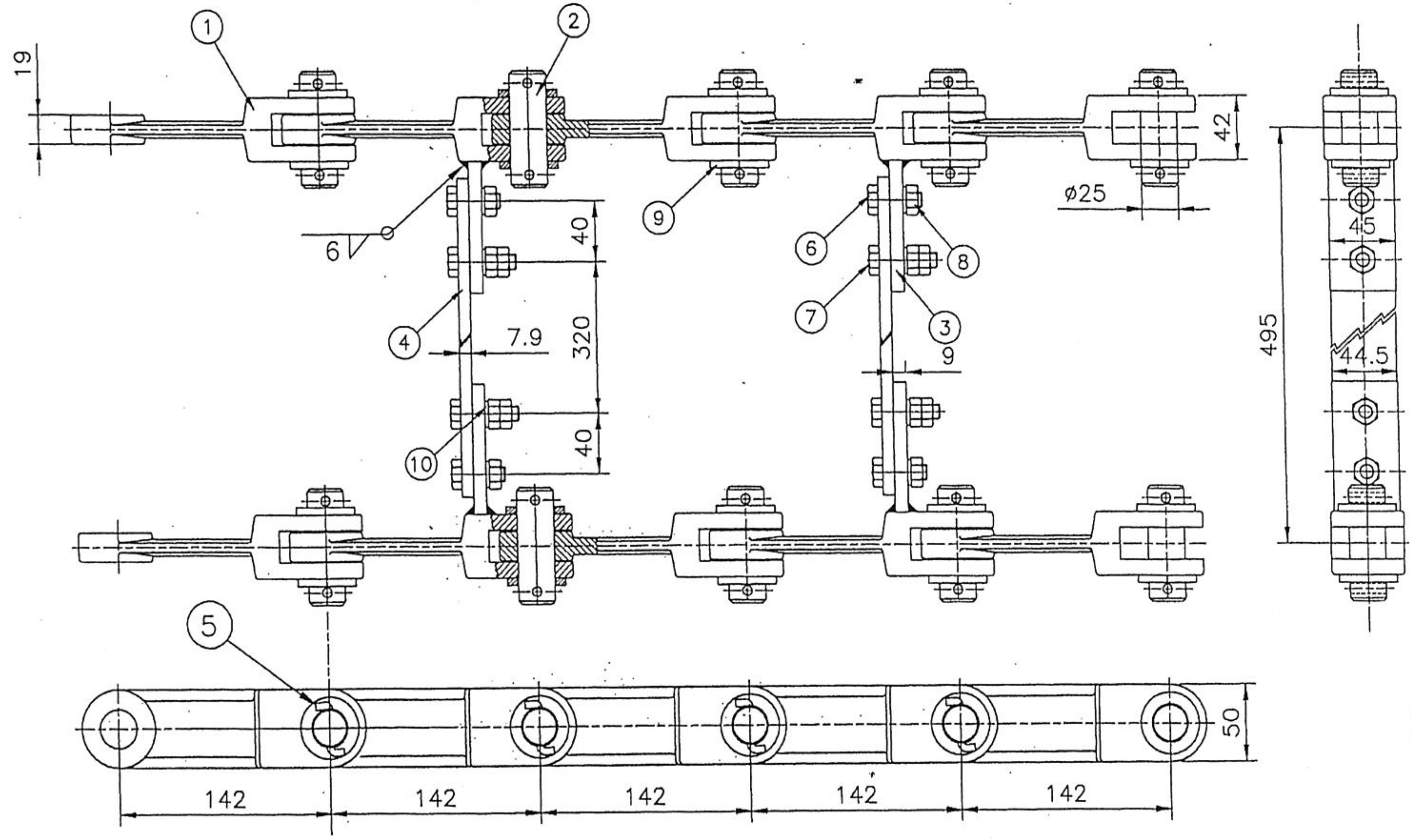


REV. NO.	DATE	DESCRIPTION	OWN	CHKD	A.E.
0	98.11.26	FIRST ISSUED			
PROJECT 근포쓰레기소각시설건설회사					
TAEKWANG PLANT CO., LTD. <small>SEOUL, KOREA 0345-482-9680 0345-482-3731</small>					
TITLE DETAIL OF ACCESS & INSPECTION DOOR FOR RIDDLING CONVEYOR					
DWG. NO.	ITEM NO.	DWG. START DATE	REV. NO.		
TKP-9810-BOTTOM-03-12	C-902	98.11.26			
SCALE	UNIT	FILE NAME			
1/4	mm	D:\KUNPO\DWG\RIDD\ACCESS			

REV	C	REVISION DESCRIPTION	SIGN	CHE	APP
△					
△					

QUANTITY : 84 LINK X 2열

CHAIN SPEC'	CHAIN PITCH	142 mm
	AVERAGE ULTIMATE STRENGTH	30,000 kg
	ALLOWABLE CHAIN PULL	kg
	WEIGHT PER METER	kg/M

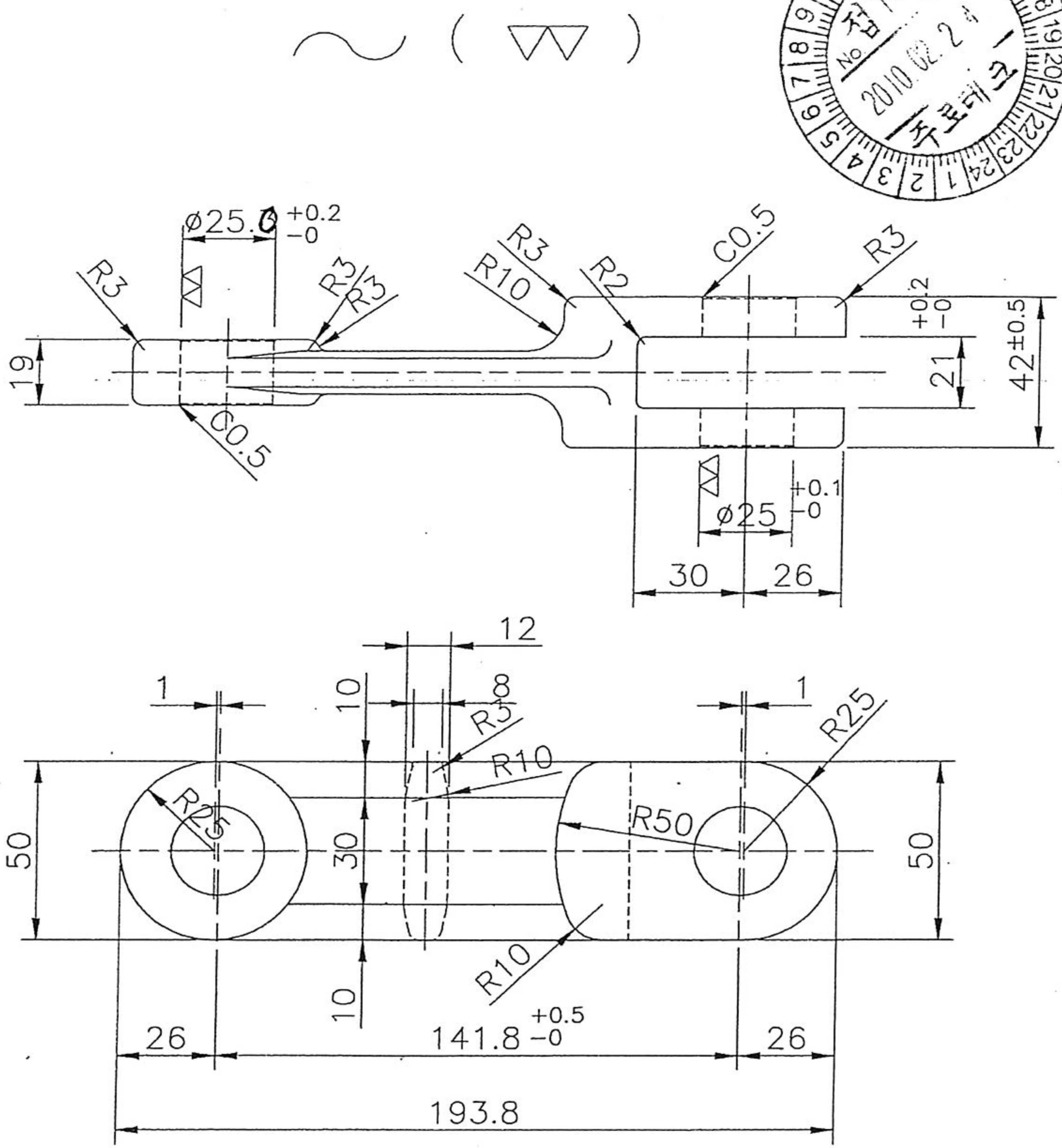


ITEM	DESCRIPTION	MAT'L	UNIT Q'TY	TOTAL Q'TY	H.T	REMARKS	ITEM	DESCRIPTION	MAT'L	UNIT Q'TY	TOTAL Q'TY	H.T	REMARKS
							7	BOLT-1	PUR			0	
							6	BOLT	PUR			0	
							5	S-PIN	SUS304				
							4	SCRAPER	S45C				
10	SPRING WASHER	PUR			0		3	ATTACHMENT	SS400				
9	WASHER	SS400					2	PIN	SCM440			0	
8	NUT	PUR			0		1	LINK	SCM440			0	

CUSTOMER 국제체인시스템				
DONG YANG 동양체인공업주식회사				
DATE	DRA	DES	CHE	APP
06.04.13	2.4.8300			

SCALE	N / S
PROJECT	
TITLE	EF30142 - SCRAPER/2L
REF.NO	
DWG.NO	060411-08-AD

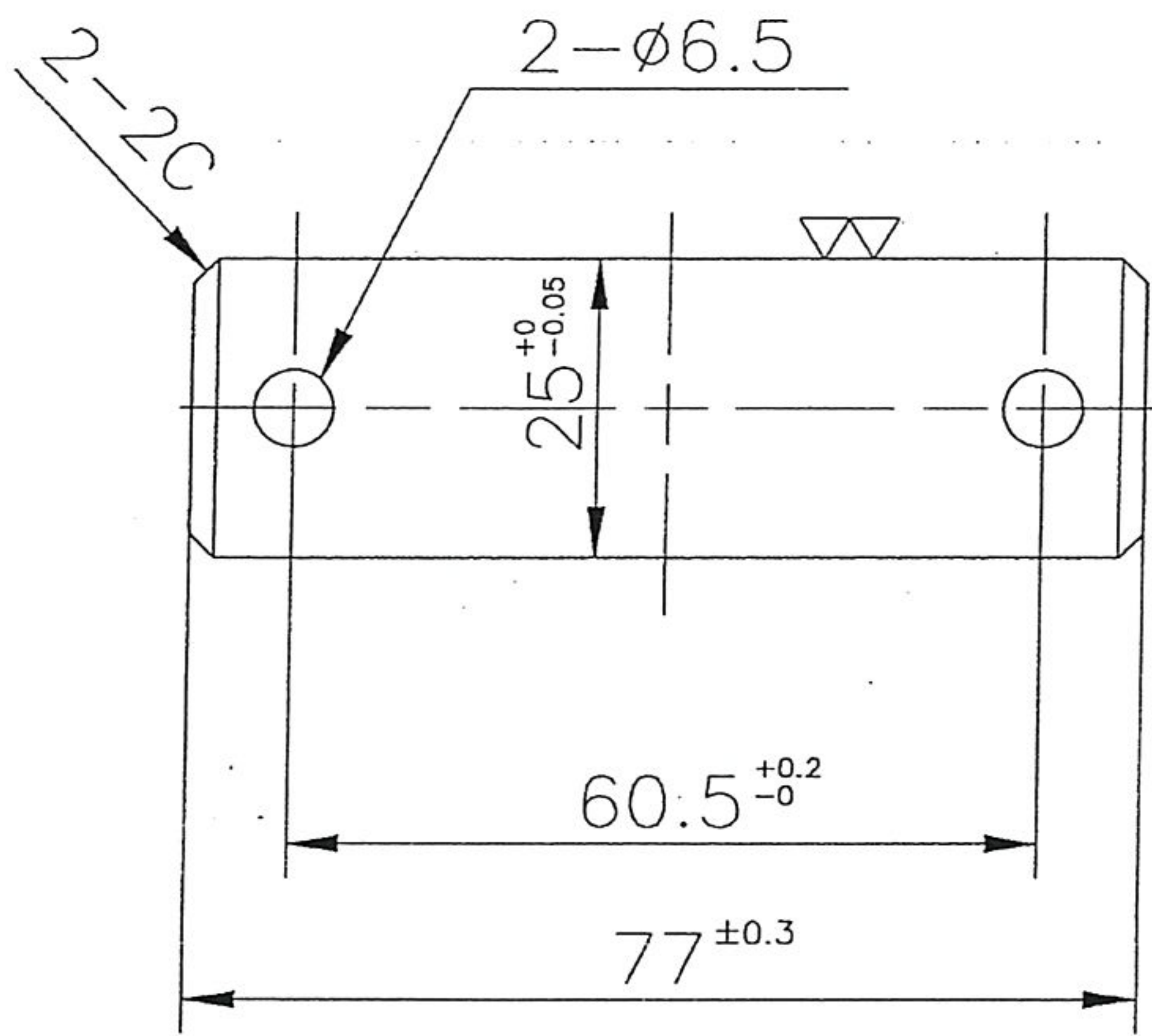
REV	DATE	REVISION DESCRIPTION	SIGN	CHE	APP
△					
△					



1	CHAIN LINK	SCM440		1.4		HRC 33~39
NO.	DESCRIPTION	MAT'L	Q'TY	UNIT.	TOTAL WEIGHT KG	REMARKS
CUSTOMER 국제체인시스템			SCALE	N / S	SET(S)	
PROJECT			TITLE EF30142 - SCRAPER/2L			
DATE	DRA(DES)	CHE(APP)	REF.NO			
03.06.25	B. J. KANG		DWG.NO 060411-08-P01			

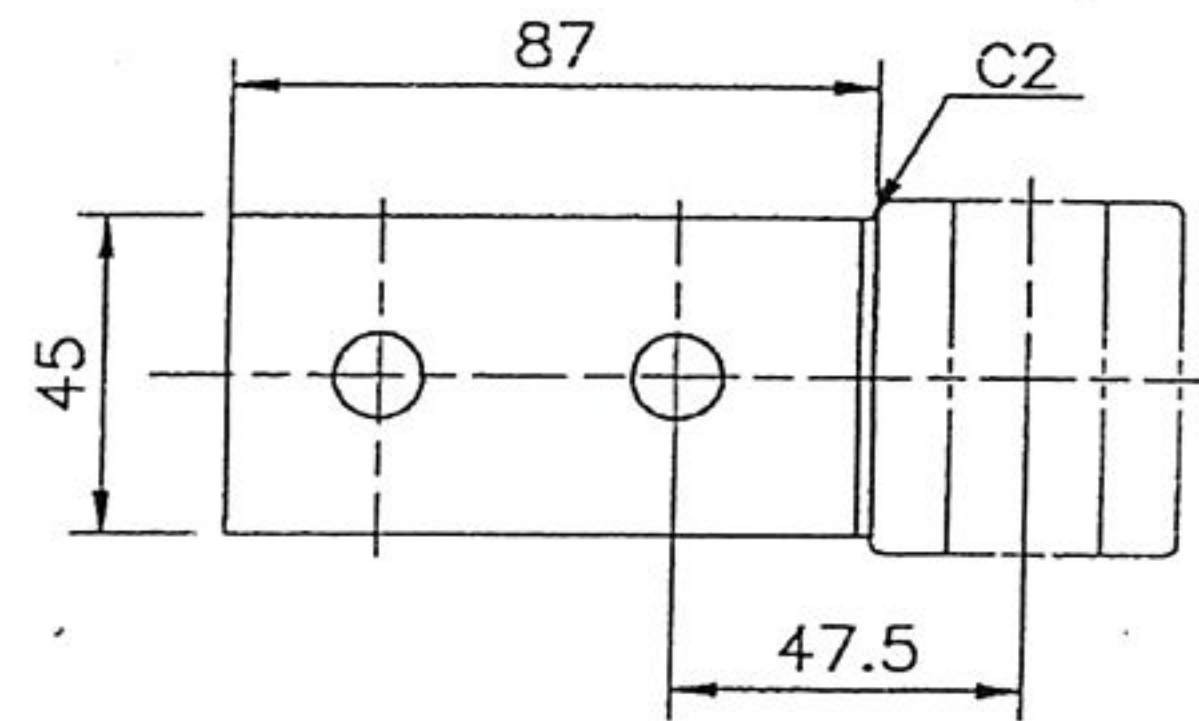
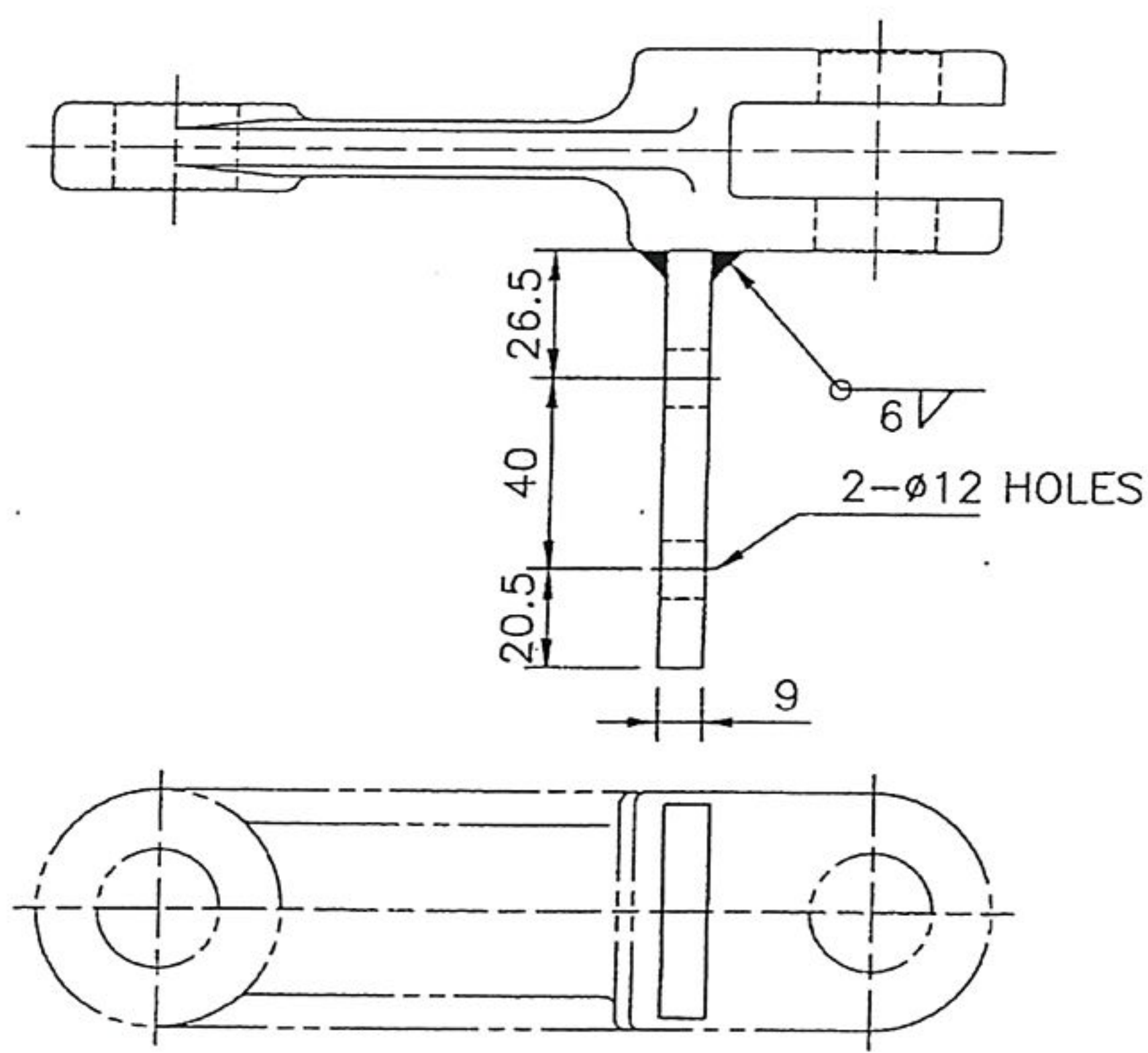
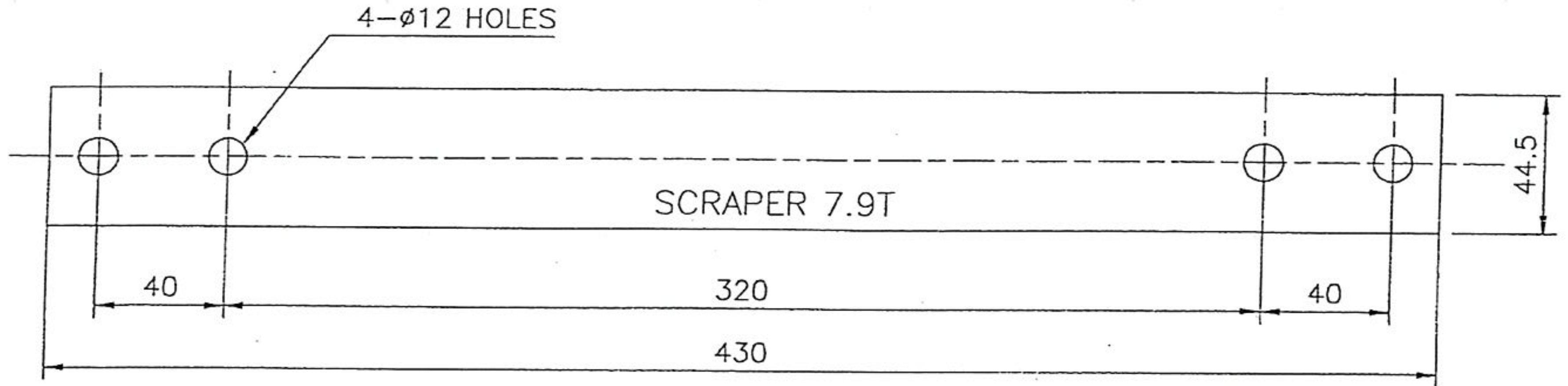
REV	DATE	REVISION DESCRIPTION	SIGN	CHE	APP
△					
△					


~ ( ∇ )



2	PIN	SCM440				HRC 38~45
NO.	DESCRIPTION	MAT'L	Q'TY	UNIT	TOTAL	REMARKS
CUSTOMER			SCALE	N / S		SET(S)
국제체인시스템			PROJECT			
DONG YANG DONGYANG CHAIN INDUSTRY CO.,LTD			TITLE EF30142 - SCRAPER/2L			
DATE	DRA(DES)	CHE(APP)	REF.NO			
06.04.14	g.m.830		DWG.NO 060411-08-P02			

REV	DATE	REVISION DESCRIPTION	SIGN	CHE	APP
①					
②					



3	ATTACHMENT	S45C				
4	SCRAPER	SS400				
NO.	DESCRIPTION	MAT'L	Q'TY	UNIT	TOTAL WEIGHT KG	REMARKS
CUSTOMER 국제체인시스템			SCALE	1 : 3	SET(S)	
			PROJECT			
 <b>DONG YANG</b> 동양체인공업주식회사			TITLE EF30142 - KW 1/2			
DATE	DRA	DES	CHE	APP	REF.NO	
06.04.14	f.m.8300				DWG.NO 060411-08-P03	